



PI Series with EXLOX Enclosure

FEATURES

- Rated  
- Field programmable
- Available on MN-MM-MH and PI Series

GENERAL DESCRIPTION

Universal's E style control box provides proven industrial reliability, and long term service.
 Material: Aluminum Alloy A413.1

SPECIFICATIONS

TRANSMITTER INPUT POWER:	4-20mA @ 30 Vdc Max.
OUTPUT:	4-20 mA proportional to flow or 4-20mA proportional to flow or HART (Blind Unit)
ALARMS:	2 independent open-collector outputs (high/low flow rate) with corresponding LEDs
OPEN COLLECTOR RATING:	30VDC@50mA
MIN AND MAX AMBIENT FLOWMETER TEMPERATURE:	35°F (1.5°C) to 150°F (65°C) for MN and PI.
RESPONSE TIME:	250 Milliseconds
TURNDOWN RATIO (MAX TO MIN FLOW):	10:1 standard.
DISPLAY:	LCD.
ACCURACY:	±2% full scale PI. ±2% full scale MN, MM, MH.
REPEATABILITY:	.25% of indicated flow
PRESSURE DROP:	2-8 PSI
ENCLOSURE RATINGS	FM APPROVALS CLASS I, DIV1, GROUPS B, C AND D – T6 CLASS II/III, DIV 1, GROUPS E, F AND G – T6 CLASS I, ZONE 1, IIB+H2 – T6 – ZONE 21, GROUP IIIC – T85°C ZONE 1 per CEC 18-100 – ZONE 21 per CEC 18-200 TYPE 4X, IP66 – Ta = -40°C to +69°C (-40°F to 156°F)

HOW TO ORDER Select appropriate symbols and build a model code number, as in example shown:

MODEL CODE

EXAMPLE: MN-ASB30GMV-8-320V.9- EXLOX L

EX STYLE CONTROL BOX	
LCD readout, 4-20mA output and 2 open collectors	EXLOX
Blind readout, 4-20mA or HART	EXHOX

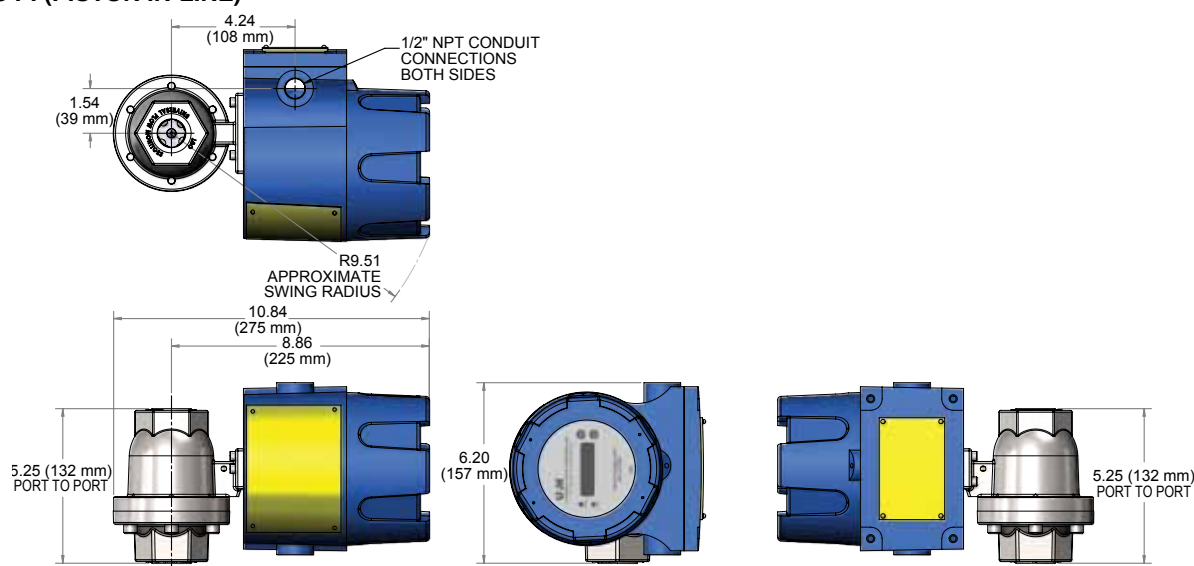
FLOW DIRECTION		
Left to right	=	R
Right to left	=	L
Up	=	U
Down	=	D

Compile the UFM Model Code for your application by referencing the appropriate meter series literature/data sheets. Documents: PI09252020, MN080115

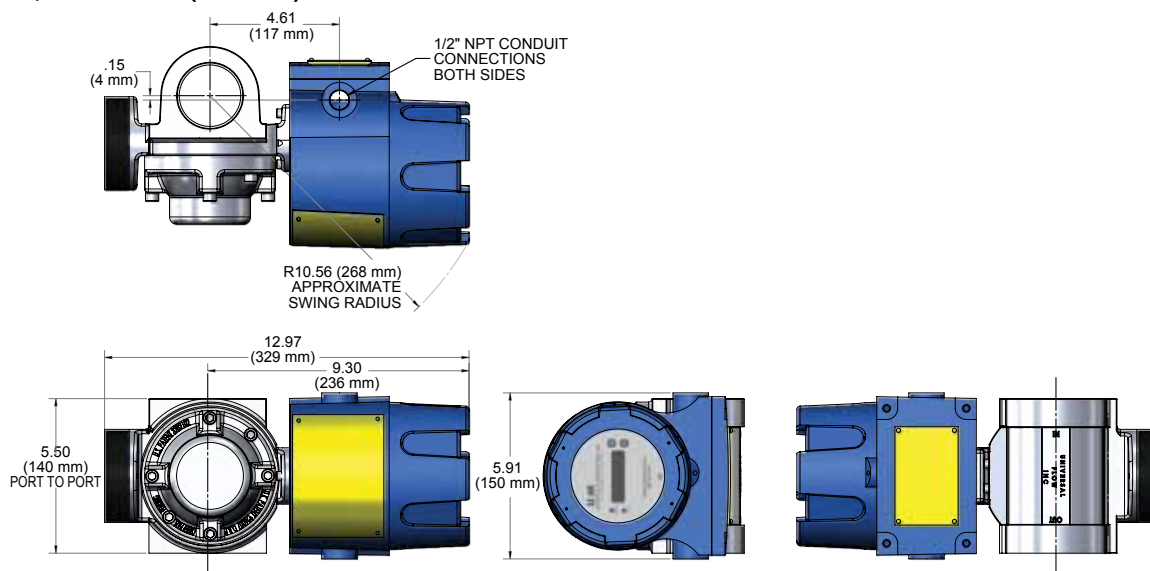
MAXIMUM DIMENSIONS

Approximate in inches (mm) For other units and configurations, consult factory

SERIES PI (PISTON IN-LINE)



SERIES MN, MM and MH (MEDIUM)



Universal Flow Monitors, Inc.
 1755 E. Nine Mile Road ▪ P.O. Box 249 ▪ Hazel Park, MI 48030
 Tel: 248-542-9635 ▪ Fax: 248-398-4274
 www.flowmeters.com ▪ E-mail: ufm@flowmeters.com

Universal Flow Monitors, Inc. reserves the right to change any information contained in this publication, at any time, without prior notice.