

8150 Battery Powered Flow Totalizer



Features

- Three totalizers
- Long-lasting lithium batteries
- Mounting versatility
- No-flow indicator
- Large digital display with averaging
- Simple push-button operation
- User selectable access code prevents unwanted changes
- Auto-calibration

Description

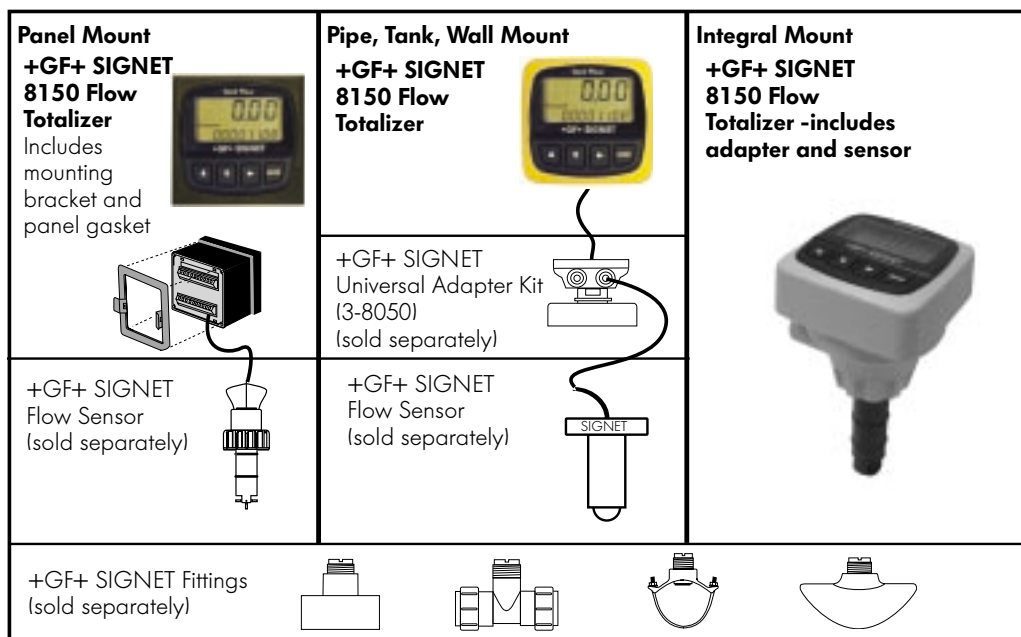
The +GF+ SIGNET 8150 Battery Operated Flow Totalizer is compatible with the +GF+ SIGNET 515, 525 and 2517 flow sensors, and will provide years of dependable operation. The large digital display indicates flow rate and totalized flow volume simultaneously. One of the three totalizers is resettable from the front panel or a remote location, while the second resettable totalizer can only be reset by entering a user-selectable security code. Meanwhile, the third is a permanent non-resettable totalizer. Our intuitive software design and four-button keypad provide for simple operation while setting screen displays and

programming the system. Calibration can be easily performed by entering the Auto-Cal feature and entering a value to match an external reference. Screen displays can be modified to suit the user's needs; along with the flow rate, any of the three totalizers can be selected as the displayed totalizer. Customers can quickly scroll through the totalizers simply by pressing any key on the keypad. A display averaging feature is included for applications where the flow in the pipe fluctuates. For applications where flow stops and starts due to production needs, a no-flow indicator will display the hours of non-flow.

Applications

- Wastewater Flow Accumulation
- Water Treatment Systems
- Remote or Mobile Treatment/Distribution Systems
- Irrigation Systems
- Filtration Systems
- Pools & Spas
- Groundwater Remediation
- RO Concentrate
- Process Flow Monitoring
- UPW Distribution
- Demineralizer Regeneration
- Process Cooling Water
- Neutralization Systems

System Overview



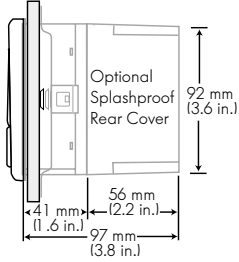
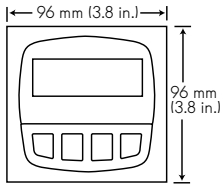
Compatible Sensors

The 8150 Battery Powered Flow Totalizer is compatible with the following +GF+ SIGNET Flow Sensors:

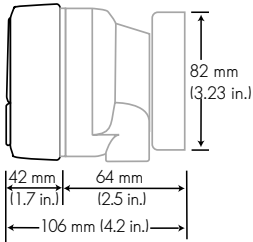
515 525 2517

Dimensions

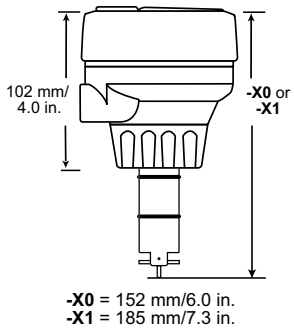
3-8150-1P



3-8150-1 with universal mount



Model 515 Integral Mount Sensors



Specifications

General

Compatibility:

+GF+ SIGNET 515, 525 and 2517 flow sensors

Input Freq. Range: 0 to 400Hz

Accuracy: $\pm 0.5\%$ of reading

Display: LCD type

4-digit upper line - flow rate

8-digit lower line - volume totalizer count, either resettable or permanent

Averaging: 0 to 120 secs.

Contrast: Automatic

Low battery indication:

Battery symbol appears on LCD display

8-digit resettable totalizers:

Stored until user resets; continues to be stored even after batteries are removed

8-digit permanent:

Kept permanently, even when batteries are removed

Materials

Enclosure: PBT resin

Keypad material:

Sealed 4-key silicon rubber

Panel Case gasket: Neoprene

Window:

Polyurethane coated polycarbonate

Electrical

Battery:

Two 3.6V Lithium thionyl chloride, AA-size

Battery life:

4 years nominal $\leq 50^\circ\text{C}$ (122°F)

Environmental

Enclosure rating: NEMA 4X/IP65 front

Operating Temperature:

-10°C to 65°C (14°F to 149°F)

Storage Temperature:

-40°C to 100°C (-40°F to 212°F)

Relative Humidity

0 to 95% Non-condensing

Shipping Weight:

0.5 kg (1.1 lbs.)

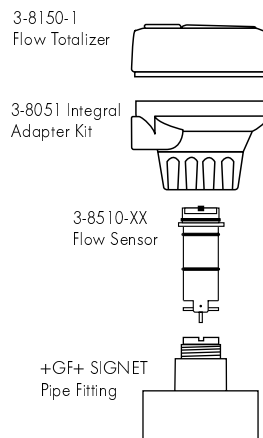
Standards and Approvals

- CE
- CUL, UL pending
- Manufactured under ISO 9001:2000 for Quality and ISO 14001:1996 for Environmental Management

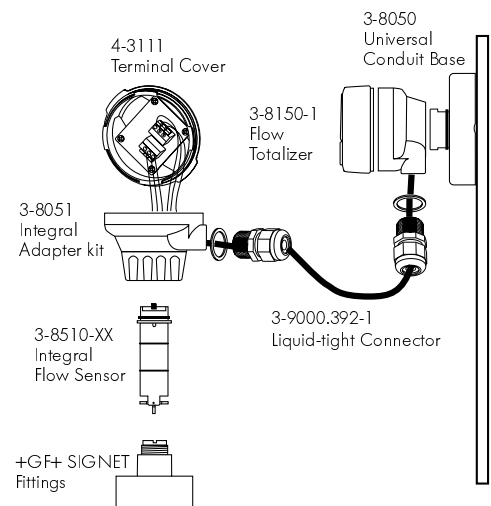
Installation

Below are examples of common installations for the 8150 Flow Totalizer and the 8510 Integral Mount Flow Sensor. For more details, see the instruction manual.

- Integral Installation with Field Mount Totalizer

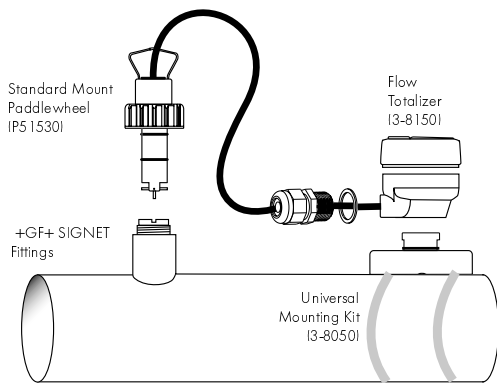


- Remote Wall Mount Installation

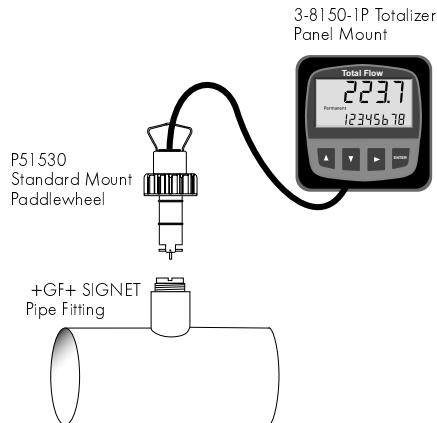


Installation (continued)

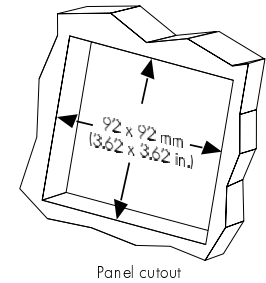
- Remote Pipe Mount



- Remote installation with Panel Mount

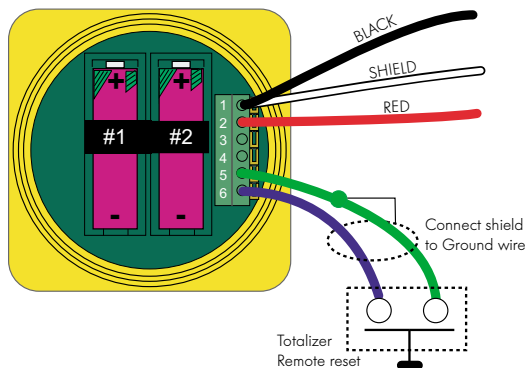


Panel Cut-Out



- The 8150 Panel-mount Totalizer is a standard 1/4 DIN package. Use a 92 x 92mm punch tool to make the panel cutout.
- Minimum spacing of 25mm (1 in.) between panel units is recommended.

Wiring



Ordering Information

Instrument Part Number	
3-8150	Battery Operated Flow Totalizer
	Field, Panel, or Integral Sensor mount - choose one
-1	Field mount for pipe, tank, and wall mounting
-1P	Panel mount; includes mounting bracket and panel gasket
-P0*	3-8150-1 integrally mounted on Model 515 Paddlewheel (Part No. 3-8510-P0) for 0.5 to 4 in. pipes, with a polypropylene body, Black PVDF rotor, and Titanium pin
-P1*	3-8150-1 integrally mounted on Model 515 Paddlewheel (Part No. 3-8510-P1) for 5 to 8 in. pipes, with a polypropylene body, Black PVDF rotor, and Titanium pin
-T0*	3-8150-1 integrally mounted on Model 515 Paddlewheel (Part No. 3-8510-T0) for 0.5 to 4 in. pipes, with a natural PVDF body, rotor, and pin
-V0*	3-8150-1 integrally mounted on Model 515 Paddlewheel (Part No. 3-8510-V0) for 0.5 to 4 in. pipes, with a natural PVDF body, rotor, and Hastelloy pin
3-8150	- 1 Example Part Number

Model 8150

Ordering Notes:

- 1) For panel version, cutout must be 92 x 92 mm (3.62 x 3.62 in.)
- 2) To mount the panel version on a wall, use the heavy duty wall mount bracket.
- 3) Use the Universal mounting kit with the Field mount instrument to mount to a pipe, tank or wall.
- 4) An optional splash proof rear cover can be ordered separately if needed.

Mfr. Part No.	Code	Mfr. Part No.	Code
3-8150-1	159 000 929	3-8150-P1	159 000 932
3-8150-1P	159 000 930	3-8150-T0	159 001 011
3-8150-P0	159 000 931	3-8150-V0	159 001 012

Accessories and Replacement Parts

Mfr. Part No.	Code	Description
Mounting		
3-8050	159 000 184	Universal mounting kit
3-0000.596	159 000 641	Heavy duty wall mount bracket (for panel mount only)
3-5000.598	198 840 225	Surface mount bracket
3-8050.395	159 000 186	Splashproof rear cover for panel mount totalizer
Liquid Tight Connectors		
3-9000.392	159 000 368	Liquid tight connector kit (includes 3 connectors)
3-9000.392-1	159 000 839	Liquid tight connector, NPT (1 connector)
3-9000.392-2	159 000 841	Liquid tight connector, PG 13.5 (1 connector)
Other		
3-8050.392	159 000 640	Model 200 retrofit adaptor
7400-0011	159 000 022	Lithium battery, 3.6V, Size AA
5523-0222	159 000 392	Cable, two conductor shielded, 22 AWG (per ft.)
Replacement parts for integral mount units - see Model 515 catalog pages for more information		
3-8051	159 000 187	Flow integral mounting kit, NPT (replacement)
3-8510-P0	198 864 504	Sensor for 0.5 to 4 in. pipes, Polypropylene body
3-8510-P1	198 864 505	Sensor for 5 to 8 in. pipes, Polypropylene body
3-8150-T0	159 000 622	Sensor for 0.5 to 4 in. pipes, all natural PVDF
3-8150-V0	198 864 506	Sensor for 0.5 to 4 in. pipes, PVDF body

See Operation Manual:

- For more flow wiring information.
- For flow installation tips.

For more information, contact your local George Fischer Sales Office:

A	Georg Fischer Rohrleitungssysteme GmbH, Sandgasse 16, 3130 Herzogenburg, Tel. +43(0)2782 856 43-0, Fax +43(0)2782 856 64, e-mail: office@georgfischer.at
AUS	George Fischer Pty Ltd, 186-190 Kingsgrove Road, Kingsgrove NSW 2008, Tel. +61(0)2 95 54 39 77, Fax +61(0)2 95 02 25 61
B/L	Georg Fischer NV/SA, Digue du Canal 109-III - Vaartdijk 109-III, 1070 Bruxelles/Brüssel, Tél. +32(0)2 556 40 20, Fax +32(0)2 524 34 26 e-mail: info.be@be.piping.georgfischer.com
BR	George Fischer Ltda, Av. das Nações Unidas 21689, 04795-100 São Paulo, Brasil, Tel. +55(0)11 5687 1311, Fax +55(0)11 5687 6009
CH	Georg Fischer Rohrleitungssysteme (Schweiz) AG, Ebnatstrasse 101, Postfach, 8201 Schaffhausen, Tel. +41(0)52 631 30 26, Fax +41(0)52 631 28 97 e-mail: info@rohrleitungssysteme.georgfischer.ch
CHINA	Georg Fischer Piping Systems Ltd Shanghai, No. 218 Kang Qiao Dong Rd., 201319 Pudong, Shanghai, Tel. +86(0)21 58 13 33 33, Fax +86(0)21 58 13 33 66 e-mail: info@cn.piping.georgfischer.com
D	Georg Fischer GmbH, Daimlerstraße 6, 73095 Albershausen, Tel. +49(0)7161 302 0, Fax +49(0)7161 302 111 e-mail: info@georgfischer.de, Internet: http://www.rls.georgfischer.de
	Georg Fischer DEKA GmbH, Kreuzstrasse 22, 35232 Dautphetal-Mornshausen, Tel. +49(0)6468 915-0, Fax +49(0)6468 915 221/222 e-mail: info@dekapipe.de, Internet: http://www.dekapipe.de
DK/IS	Georg Fischer A/S, Rugvænget 30, 2630 Taastrup, Tel. +45 70 22 19 75, Fax +45 70 22 19 76 e-mail: info@dk.piping.georgfischer.com, Internet: http://www.georgfischer.dk
E	Georg Fischer S.A., Alcalá, 85, 2ª, 28009 Madrid, Tel. +34(0)91 781 98 90, Fax +34(0)91 426 08 23, e-mail: info@georgfischer.es
F	George Fischer S.A., 105-113, rue Charles Michels, 93208 Saint-Denis Cedex 1, Tél. +33(0)1 49 22 13 41, Fax +33(0)1 49 22 13 00, e-mail: info@georgefischer.fr
GB	George Fischer Sales Limited, Paradise Way, Coventry, CV2 2ST, Tel. +44(0)2476 535 535, Fax +44(0)2476 530 450 e-mail: info@georgefischer.co.uk, Internet: http://www.georgefischer.co.uk
GR	Georg Fischer S.p.A., Athens Branch, 101, 3rd September Str., 10434 Athen, Tel. +30(0)1 882 0491, Fax +30(0)1 881 0291, e-mail: dderiv_piping_gf@oneway.gr
I	Georg Fischer S.p.A., Via Sondrio 1, 20063 Cernusco S/N (MI), Tel. +3902 921 861, Fax +3902 921 86 24 7, e-mail: office@piping.georgfischer.it
ID	Georg Fischer Representative Office, c/o Wisma Aria, 3rd Floor, Jl. H.O.S. Cokroaminoto 81, Jakarta 10310, Indonesia, Tel. +62(0)21 391 48 62, Fax +62(0)21 391 48 62
IND	George Fischer Piping Systems Ltd, India Branch Office, Solitaire Corporate Park, 532, Building No. 5, 3rd Floor, Chakala, Ghatkopar Link Road, Andheri (E) 400 093 Mumbai, Tel. +91(0)22 820 2362, Fax +91(0)22 820 2462, e-mail: branchoffice@georgfischer.net
J	Georg Fischer Ltd, 2-47, Shikitsuhigashi 1-chome, Naniwa-ku, 556-8601 Osaka, Tel. +81(0)6 664 82 59 4, Fax +81(0)6 664 82 56 5, e-mail: info@georgfischer.jp
N	Georg Fischer AS, Rudsletta 97, 1351 Rud, Tel. +47(0)67 18 29 00, Fax +47(0)67 13 92 92, Internet: http://www.georgfischer.no
NL	Georg Fischer N.V., Postbus 35-8160, 8161 PA Epe, Tel. +31(0)578 678222, Fax +31(0)578 621768 e-mail: info.vgn@nl.piping.georgfischer.com, Internet: http://www.georgfischer.nl
PL	Georg Fischer Sp. z o.o., Ul. Pryzmaty 4, 02-226 Warszawa, Tel. +48 (0)22 31 31 050, Fax +48(0)22 31 31 060, www.georgfischer.pl
RO	Georg Fischer Rohrleitungssysteme AG, Rep. Office Romania, 11 Barbu Delavrancea, 70000 Bucharest - Sector 1, Tel. +40(0)1 222 91 36, Fax +40(0)1 222 91 77 e-mail: office@georgfischer.ro
S/FIN	Georg Fischer AB, Box 113, 12523 Älvsjö-Stockholm, Tel. +46(0)8 506 77 500, Fax +46(0)8 749 23 70, e-mail: info@georgfischer.se, Internet: http://www.georgfischer.se
SGP	George Fischer Pte Ltd, 15 Kaki Bukit Road 2, KB Warehouse Complex, 417 845 Singapore, Tel. +65(0)7 47 06 11, Fax +65(0)7 47 05 77, e-mail: info@georgfischer.com.sg
USA*	George Fischer Inc., 2882 Dow Avenue, Tustin, CA 92780-7258, Tel. 1 (714) 731-8800, Toll Free (800) 854-4090, Fax 1 (714) 731-6201 e-mail: info@us.piping.georgfischer.com, Internet: http://www.us.piping.georgfischer.com *includes North, Central, and South America

+GF+ SIGNET

George Fischer Signet, Inc., 3401 Aerojet Avenue, El Monte, CA 91731-2882 U.S.A. • Tel. (626) 571-2770 • Fax (626) 573-2057

For Worldwide Sales and Service, visit our website: gfsignet.com • e-mail: info@gfsignet.com

Specifications subject to change without notice. All rights reserved. All corporate names and trademarks stated herein are the property of their respective companies.