



MAX FLOW 50 GPM (190 LPM)
 MAX PRESSURE 200 PSI (13.6 Bar)

CX 1 inch
 CONCRETE

CoolPoint™ CX

UNIVERSAL[®] Flow Monitors

**Vortex Shedding Flowmeter
 for Continuous or Batch
 Water Add on
 Concrete Trucks**

 CSA Certified
 CE Marked



Description

This flowmeter is made for water and low viscosity fluids compatible with materials of construction.

Features:

- Maximum flow rate of 50 GPM
- Designed for monitoring water add on concrete trucks
- Hose bars or plastic end connections with Brass insert
- Pulse out or 4-20 mA output
- Batch (total) mode or rate for continuous mix
- No moving parts to clog or wear
- 1 1/2% accurate
- 3-digit LED display option
- Galons or Liters

Electrical Specifications

- Input Power: 10 - 30 VDC @ 80 mA 3 wire
- Electrical Connection
 Pin Connector (standard)
 Weather pack

Material Specifications

Flow body of Brass and nylon with Viton[®] seals.
 Bluffs made of brass PEEK sensor.

User-Configurable Options

Features that are selectable

- Engineering units (GPM, LPM)

Instrument Specifications

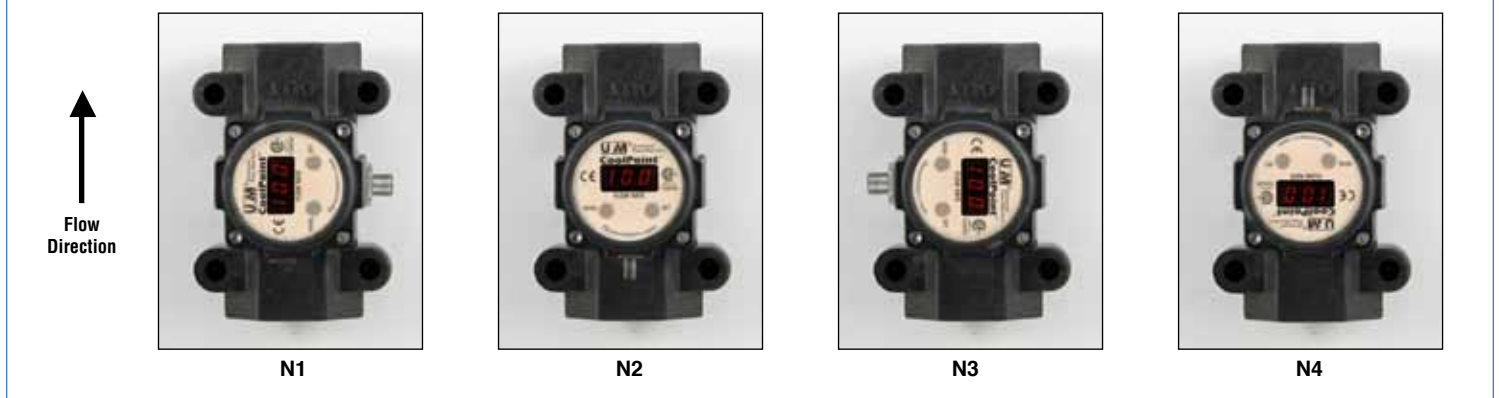
- Flow
 Maximum flow 50GPM
 Visual readout: 3 digit LED, 0.3" digit height
 Turndown: 10:1
 Accuracy: +/- 1-1/2% full scale
 Repeatability: +/- .25% of indicated flow
- Pressure
 200 PSI (13.6 bar)
- General
 Fluid temperature limits: 35-210oF (2-99oC)
 Enclosure Rating: IP65; Type 4X
 Pipe Connection: Female NPT
 Minimum backpressure required
 (5 PSI typical at midrange, 10 PSI at high flows)
 Over range to 125% without damage
 Straight run 10 pipe diameters upstream
 & 5 down for max accuracy
 Pulse or 4-20mA rate output

How To Order Select the appropriate symbols to build a model code:

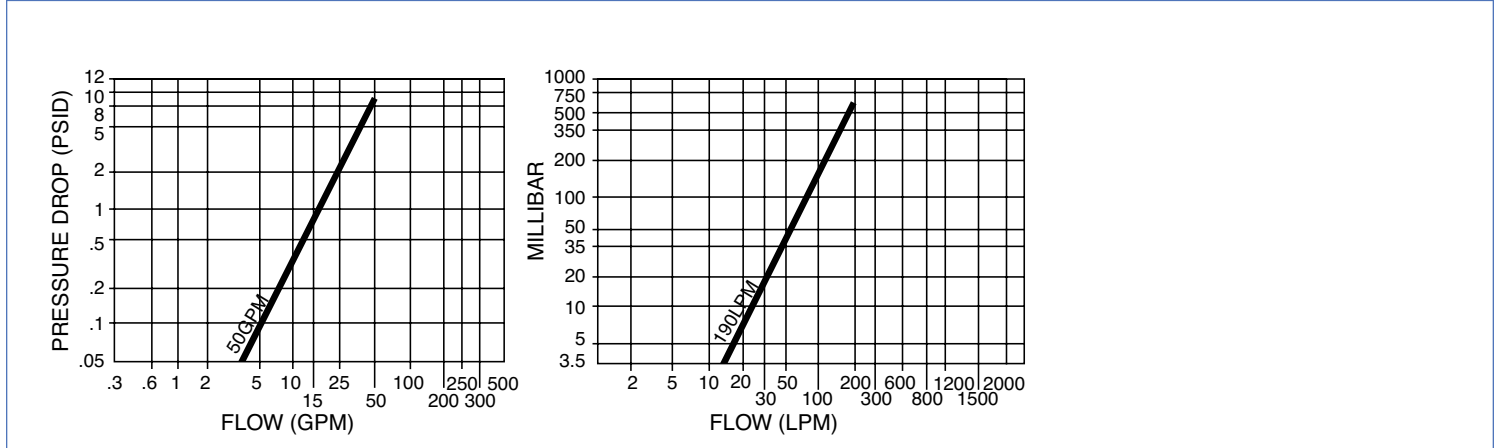
MODEL CODES

SERIES	SYMBOL=FEATURE			
	BODY MATERIAL	CABLING	OUTPUT AND DISPLAY	ORIENTATION
CX8	M8 = Brass with nylon endcaps M7 = Brass with nylon hosebarbs	C1* = 5 pin connector only C7 = 4 feet of 3-wire cable added to the pin connector terminating in a PG7 "weather pack" connector	D3* = Pulse out with 3 digit display of total D1 = 4-20 mA out with 3 digit of rate display D4E10 = pulse out no display D4E1 = 4-20 mA out with no display	N2* = Flow up N3 = Flow left N1 = Flow right N4 = Flow down

FACE AND PIN CONNECTOR ORIENTATION WITH FLOW



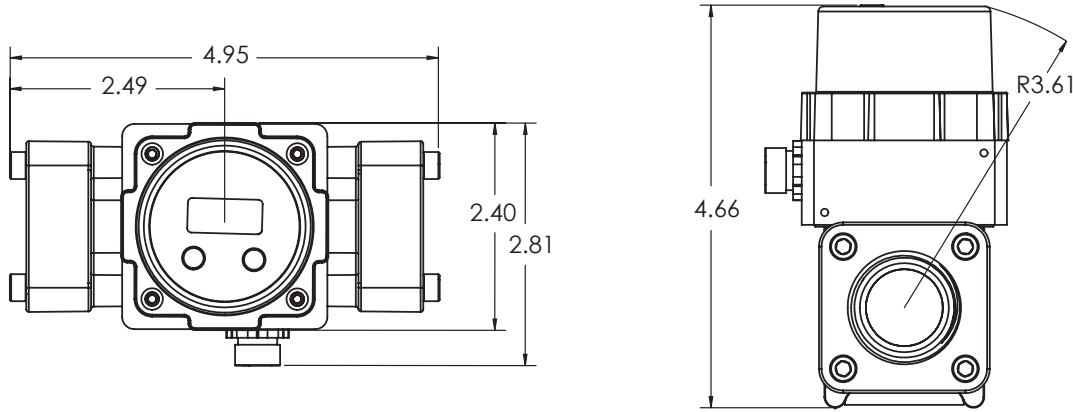
PRESSURE DROP CHARTS



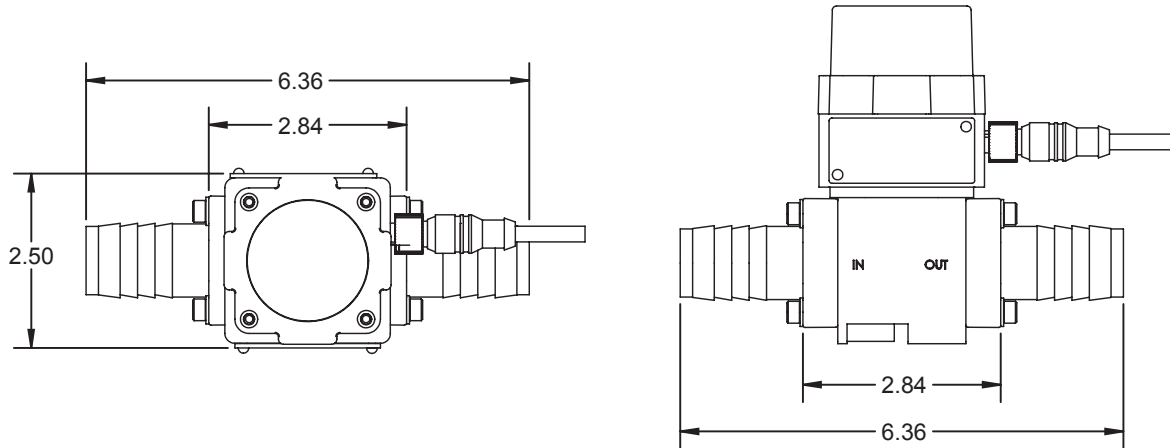
ACCESSORY CABLES AVAILABLE FOR PIN CONNECTOR METERS

Series	Description	Length in Meters	Part Number
CX	5 pin female	1	6241-1M
		3	6241-3M
		10	6241-10M

INSTALLATION DRAWING FEMALE NPT

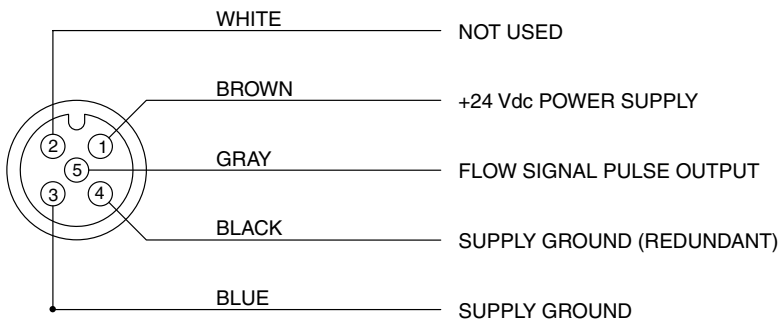


INSTALLATION DRAWING HOSE BARB



PIN CONNECTOR PINOUTS

TOTALIZER WITH PULSE OUTPUT

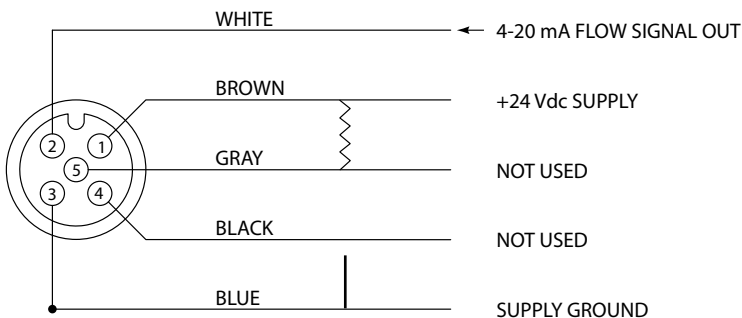


PIN CONFIGURATION:

- 1: + 24 VDC power supply
- 2: not used
- 3: supply ground
- 4: supply ground
- 5: flow signal pulse output

Note: There is an internal 10K Ω pull-up resistor on the pulse output line (pin 5).

FLOW RATE WITH 4-20MA OUTPUT



CONFIGURATION:

- 1: + 24 VDC power supply
- 2: 4-20 mA flow signal out
- 3: power supply ground
- 4: not used
- 5: not used