



# CoolPoint™ CX

## UNIVERSAL<sup>®</sup> Flow Monitors

**Vortex Shedding Flowmeter for  
 Continuous or Batch  
 Water Add on  
 Concrete Trucks**

 CSA Certified  
 CE Marked



### Description

This flowmeter is made for water and low viscosity fluids compatible with materials of construction.

Features:

- Maximum flow rate of 50 GPM
- Designed for monitoring water add on concrete trucks
- Plastic end connections with Brass insert
- Pulse out or 4-20 mA output
- Batch (total) mode or rate for continuous mix
- No moving parts to clog or wear
- 1 1/2% accurate
- 3-digit LED display option
- Galons or Liters

### Electrical Specifications

- Input Power: 10 - 30 VDC @ 80 mA 3 wire
- Electrical Connection  
 Pin Connector (standard)  
 Weather pack

### Material Specifications

Flow body of Brass and nylon with Viton<sup>®</sup> seals.  
 Bluffs made of brass PEEK sensor.

### User-Configurable Options

Features that are selectable

- Engineering units (GPM, LPM)

### Instrument Specifications

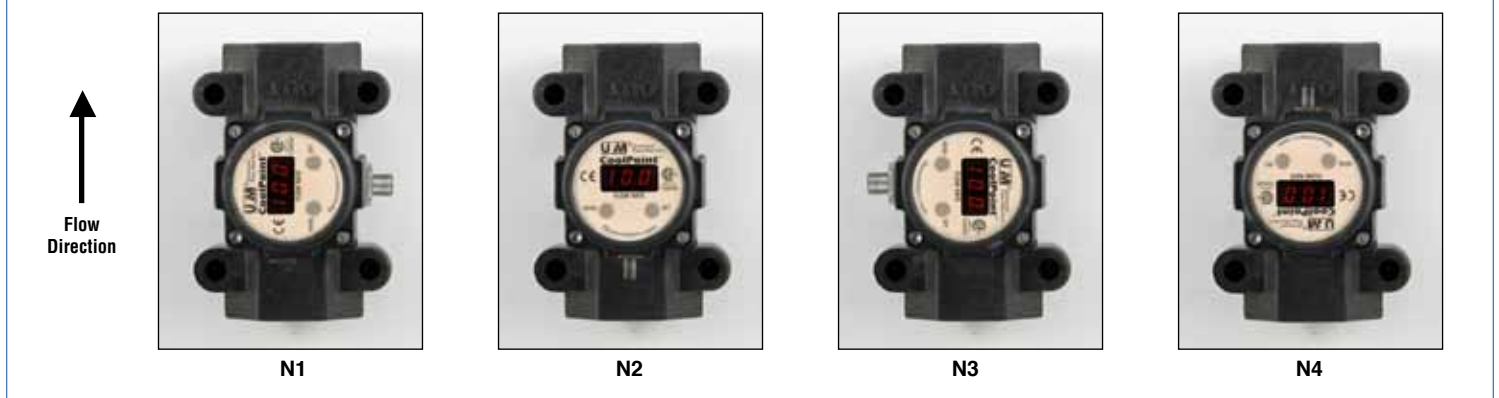
- Flow  
 Maximum flow 50GPM  
 Visual readout: 3 digit LED, 0.3" digit height  
 Turndown: 10:1  
 Accuracy: +/- 1-1/2% full scale  
 Repeatability: +/- .25% of indicated flow
- Pressure  
 200 PSI (13.6 bar)
- General  
 Fluid temperature limits: 35-210oF (2-99oC)  
 Enclosure Rating: IP65; Type 4X  
 Pipe Connection: Female NPT  
 Minimum backpressure required  
 (5 PSI typical at midrange, 10 PSI at high flows)  
 Over range to 125% without damage  
 Straight run 10 pipe diameters upstream  
 & 5 down for max accuracy  
 Pulse or 4-20mA rate output

# How To Order Select the appropriate symbols to build a model code:

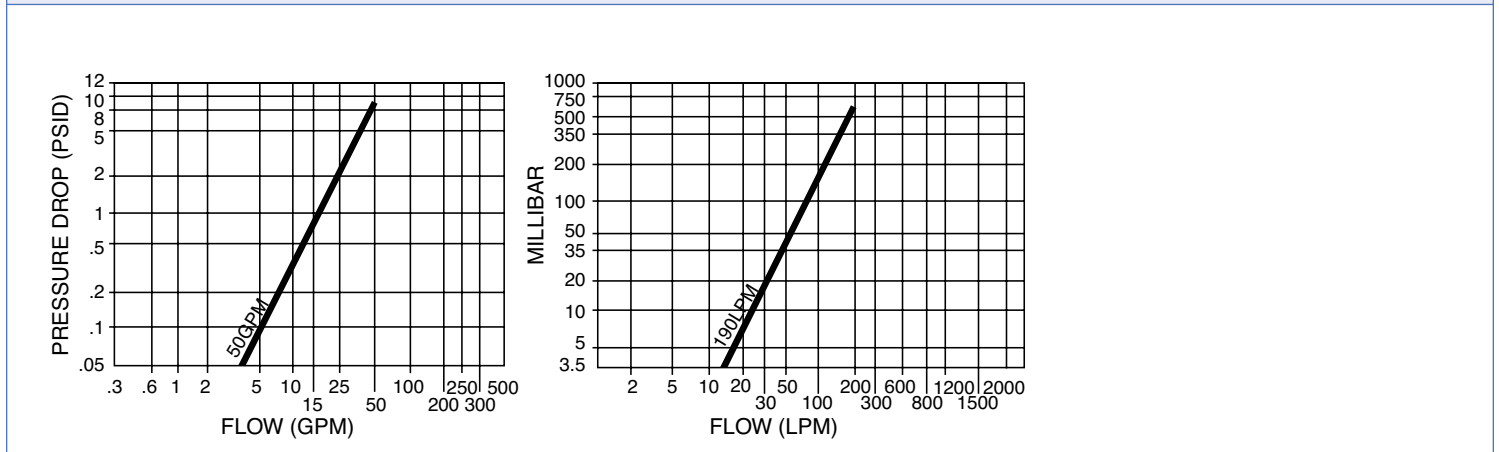
## MODEL CODES

SERIES	SYMBOL=FEATURE			
	BODY MATERIAL	CABLING	OUTPUT AND DISPLAY	ORIENTATION
CX8	<b>M8</b> = Brass with nylon endcaps	<b>C1*</b> = 5 pin connector only  <b>C7</b> = 4 feet of 3-wire cable added to the pin connector terminating in a PG7 "weather pack" connector	<b>D3*</b> = Pulse out with 3 digit display of total  <b>D1</b> = 4-20 mA out with 3 digit of rate display  <b>D4E10</b> = pulse out no display <b>D4E1</b> = 4-20 mA out with no display	<b>N2*</b> = Flow up  <b>N3</b> = Flow left  <b>N1</b> = Flow right <b>N4</b> = Flow down

## FACE AND PIN CONNECTOR ORIENTATION WITH FLOW



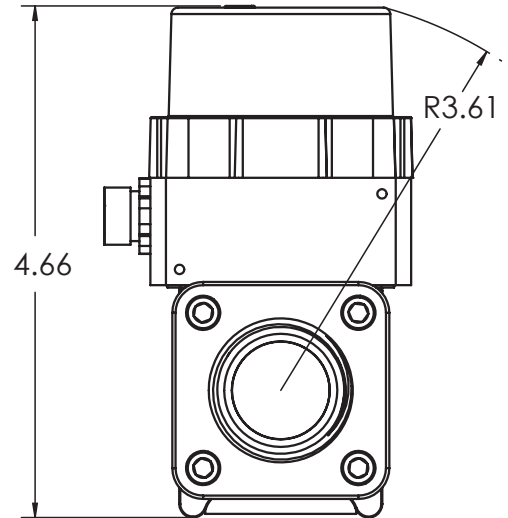
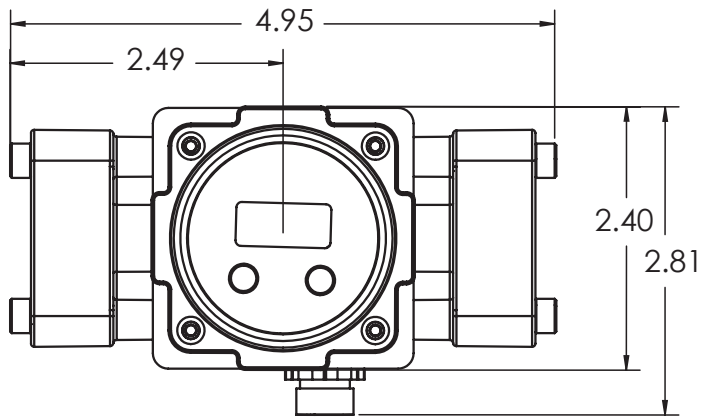
## PRESSURE DROP CHARTS



## ACCESSORY CABLES AVAILABLE FOR PIN CONNECTOR METERS

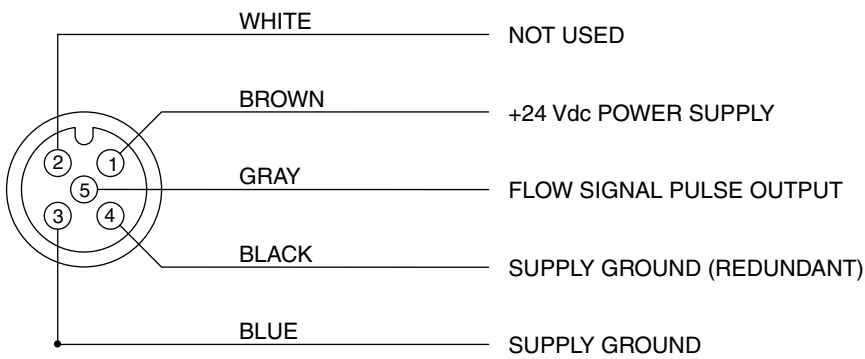
Series	Description	Length in Meters	Part Number
CX	5 pin female	1	6241-1M
		3	6241-3M
		10	6241-10M

## INSTALLATION DRAWING FEMALE NPT



## PIN CONNECTOR PINOUTS

### TOTALIZER WITH PULSE OUTPUT

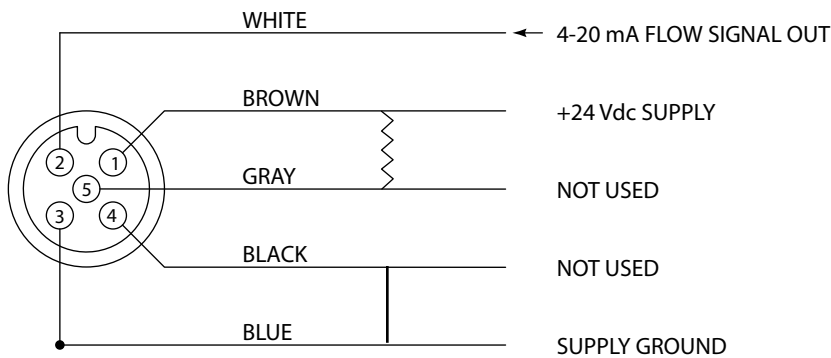


#### PIN CONFIGURATION:

- 1: + 24 VDC power supply
- 2: not used
- 3: supply ground
- 4: supply ground
- 5: flow signal pulse output

Note: There is an internal 10K  $\Omega$  pull-up resistor on the pulse output line (pin 5).

### FLOW RATE WITH 4-20MA OUTPUT



#### CONFIGURATION:

- 1: + 24 VDC power supply
- 2: 4-20 mA flow signal out
- 3: power supply ground
- 4: not used
- 5: not used