

5. Programming the Monitoring Functions

- The meter has four display modes: rate, minimum, average, and total.
- The button can be toggled at any time to see any of the four modes. The button is also used to program the meter.
- LEDs above the display indicate which mode is currently showing.
- Any of the four modes can be programmed to be the default display.
- Alarms can be programmed for flows below a preset minimum and a preset average.
- Five different units of measure can be specified.



The display is controlled by a button on the underside of the meter

To Program:

- Press and hold button to enter programming mode, then release.
- Press button to advance value; press and hold to advance quickly.
- Release and wait to move to next parameter.

Symbol	Meaning	Description	Range
LL	Low Limit	Threshold for minimum flow alarm	0.1 scfm to 99 scfm
LP	Low Period	Period over which minimum flow is calculated (hours)	0.1 hr to 24 hr
AL	Average Limit	Threshold for average flow alarm	0.1 scfm to 99 scfm
AP	Average Period	Period over which average flow is calculated (hours)	0.1 hr to 24 hr
FF	Filter Factor	Degree of filtering	0 – no filtering 6 – maximum filtering
dd	default display	0 – rate 1 – minimum 2 – average 3 – total	
du	display units	Rate 0 – scfm 1 – Nm ³ /hr at 0 deg C 2 – Nm ³ /hr at 20 deg C 3 – Nm ³ /min at 0 deg C 4 – Nm ³ /min at 20 deg C	Total 1000 cu ft m ³ at 0 deg C m ³ at 20 deg C m ³ at 0 deg C m ³ at 20 deg C

Installation and Startup Guide for CDI 25 Flowmeters

Please refer to the data sheets for more detailed instructions.

CDI Meters, Inc.

3R Green Street

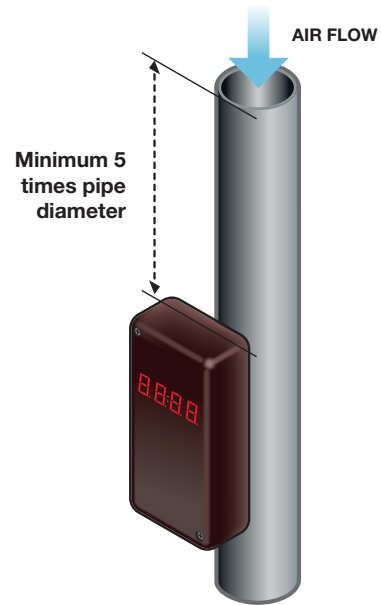
Woburn, MA 01801

866-885-2462

©2012 CDI Meters, Inc.

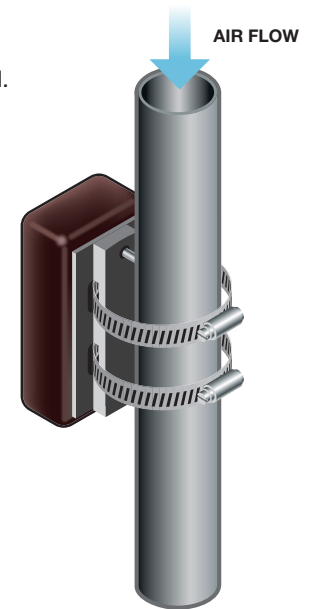
1. Meter Location

- Maximum pressure is 200 psi in Sch. 40 steel and Type L Copper. Consult CDI about other applications.
- Air must be free of water droplets. Locate the meter downstream of a dryer.
- Provide at least 5 diameters of straight pipe upstream of the meter.



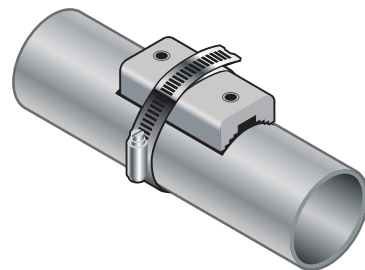
3. Mounting the Meter

- Insert the band clamps into the slots provided.
- Insert probes into the holes in the pipe.
- Make sure flow arrow is pointing in the right direction.
- Engage and tighten the band clamps.



2. Drilling the Holes

- Use 5200-DG drill guide.
- Air *must* be shut down.
- Wear eye protection.
- Shavings will enter pipe; make sure they will not cause problems downstream.
- Orient the drill guide for optimal meter visibility.
- A chain clamp, C-clamp, or band clamp may be used.
- Backing piece may be used if necessary.



4. Powering the Meter

