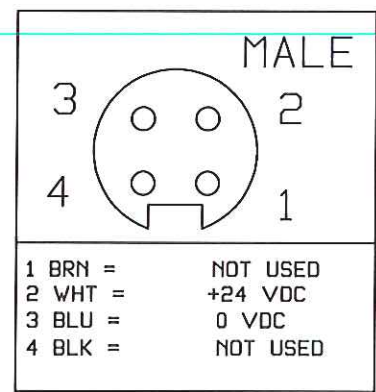
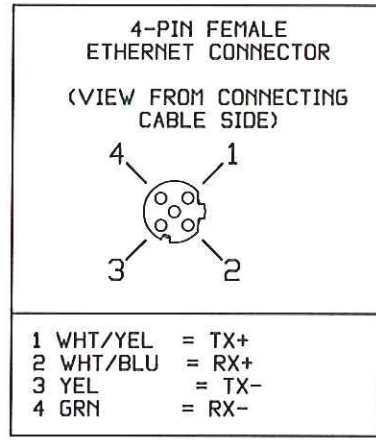
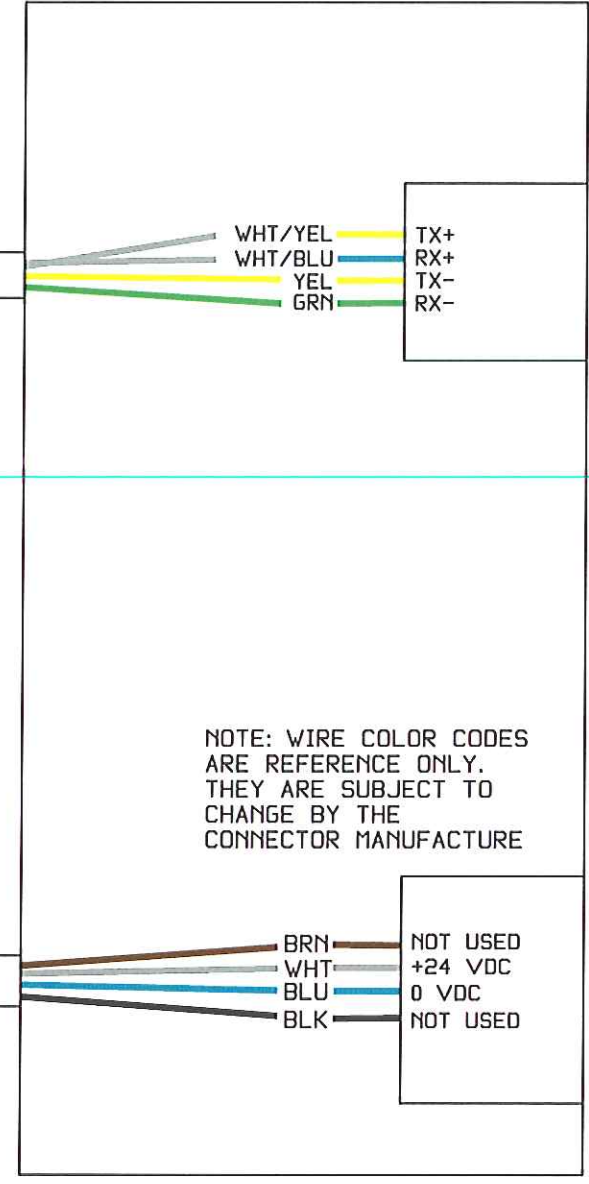


Family	DP - ETHERNET
Model Code	E1E

REV.	E.C.O.#	REVISION NOTE	BY	DATE	APPV'D BY	DATE
00	12-087	Released	WHF	12/19/12		
01						



CABLE LENGTHS TO BE
DETERMINED AT TIME OF
BUILD



UNLESS OTHERWISE SPECIFIED FRACTIONS ±1/64 2 PLACE DIMS ±.01 3 PLACE DIMS ±.005 ANGLES ±1/2° CONCENTRICITY .002 T.I.R. MAX. BREAK SHARP EDGES 1/64 MAX PATENTS PENDING	*THIS DRAWING, THE STRUCTURAL DESIGN DISCLOSED THEREIN, AND THE TECHNICAL DATA AND ENGINEERING SERVICE REPRESENTED THEREBY ARE THE EXCLUSIVE PROPERTY OF ROCON L.L.C. AND IS TO BE RETURNED TO ROCON L.L.C., UPON WRITTEN REQUEST AND IS NOT TO BE REPRODUCED IN WHOLE OR IN PART WITHOUT THE EXPRESS WRITTEN CONSENT OF ROCON L.L.C.		ROCON L.L.C. 1755 EAST NINE MILE ROAD HAZEL PARK, MI 48030-0249	
	DRAWN: WHF DATE: 12/19/12 APPV'D:	SCALE: FULL REF. NO. DO NOT SCALE	DWG. NO.: NWC0150 SHEET: OF	WIRING DIAGRAM, DP - ETHERNET 4-PIN MINI & MICRO, 'E' PIN OUT E1E CUSTOMER DRAWING