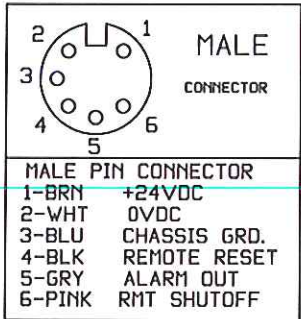
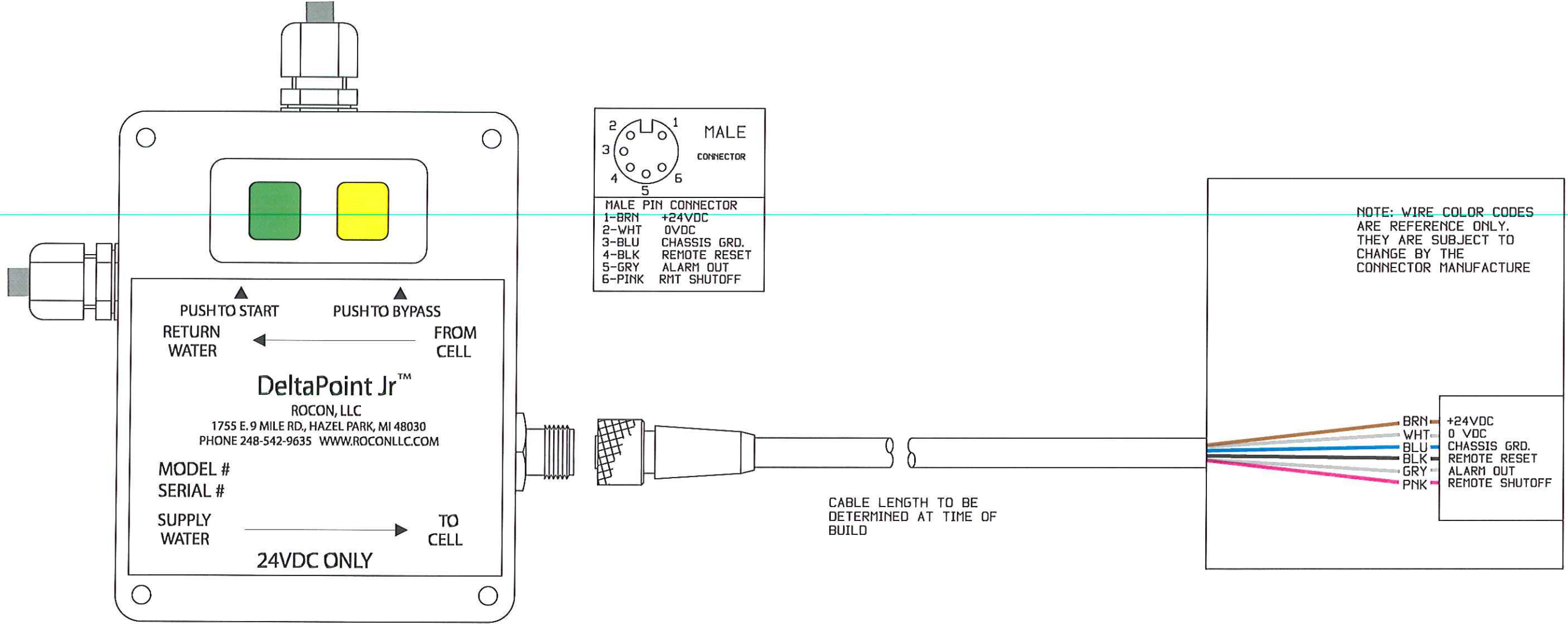


CUSTOMER INSTALLATION DRAWING	
Family	<b>DeltaPoint - JR</b>
Model Code	<b>D26P (DPJ)</b>

REV.	E.C.O.#	REVISION NOTE	BY	DATE	APPV'D BY	DATE
00	12-087	Released	WHF	12/19/12		
01						



NOTE: WIRE COLOR CODES ARE REFERENCE ONLY. THEY ARE SUBJECT TO CHANGE BY THE CONNECTOR MANUFACTURE

BRN	+24VDC
WHT	0 VDC
BLU	CHASSIS GRD.
BLK	REMOTE RESET
GRY	ALARM OUT
PNK	REMOTE SHUTOFF

CABLE LENGTH TO BE DETERMINED AT TIME OF BUILD

PUSH TO START      PUSH TO BYPASS

RETURN WATER      FROM CELL

**DeltaPoint Jr™**  
 ROCON, LLC  
 1755 E. 9 MILE RD., HAZEL PARK, MI 48030  
 PHONE 248-542-9635 WWW.ROCONLLC.COM

MODEL #  
 SERIAL #

SUPPLY WATER      TO CELL

**24VDC ONLY**

UNLESS OTHERWISE SPECIFIED		*THIS DRAWING, THE STRUCTURAL DESIGN DISCLOSED THEREIN, AND THE TECHNICAL DATA AND ENGINEERING SERVICE REPRESENTED THEREBY ARE THE EXCLUSIVE PROPERTY OF ROCON L.L.C. AND IS TO BE RETURNED TO ROCON L.L.C., UPON WRITTEN REQUEST AND IS NOT TO BE REPRODUCED IN WHOLE OR IN PART WITHOUT THE EXPRESS WRITTEN CONSENT OF ROCON L.L.C.		<b>ROCON L.L.C.</b> 1755 EAST NINE MILE ROAD HAZEL PARK, MI 48030-0249	
FRACTIONS ±1/64	2 PLACE DIMS ±.01	SCALE FULL	REP. NO.	TITLE WIRING DIAGRAM, DP-JR,	
3 PLACE DIMS ±.005	ANGLES ±1/2°	DATE 12/19/12	DO NOT SCALE	6-Pin Proteus, Alarm Override,	
CONCENTRICITY .002 T.I.R. MAX.	BREAK SHARP EDGES 1/64 MAX	APPV'D WHF	DATE 12/19/12	MODEL D26P CUSTOMER DRAWING	
PATENTS PENDING		APPV'D	DATE	DWG. NO. NWC0106	REV. 00
				SIZE D	SHT. OF 00