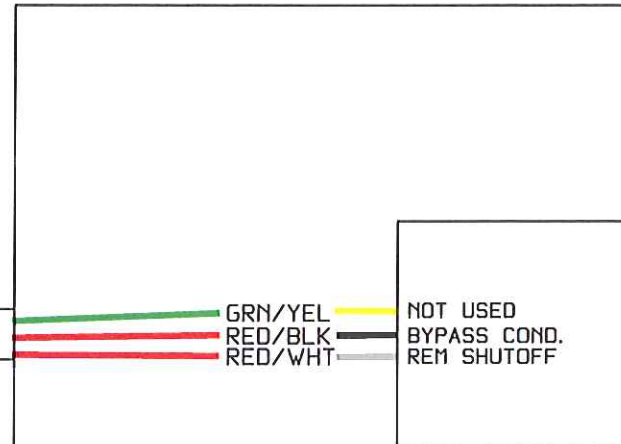
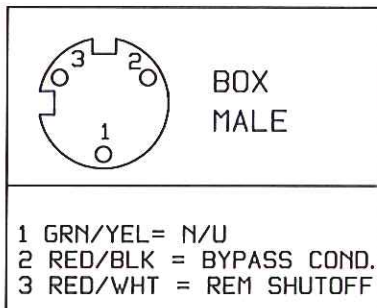
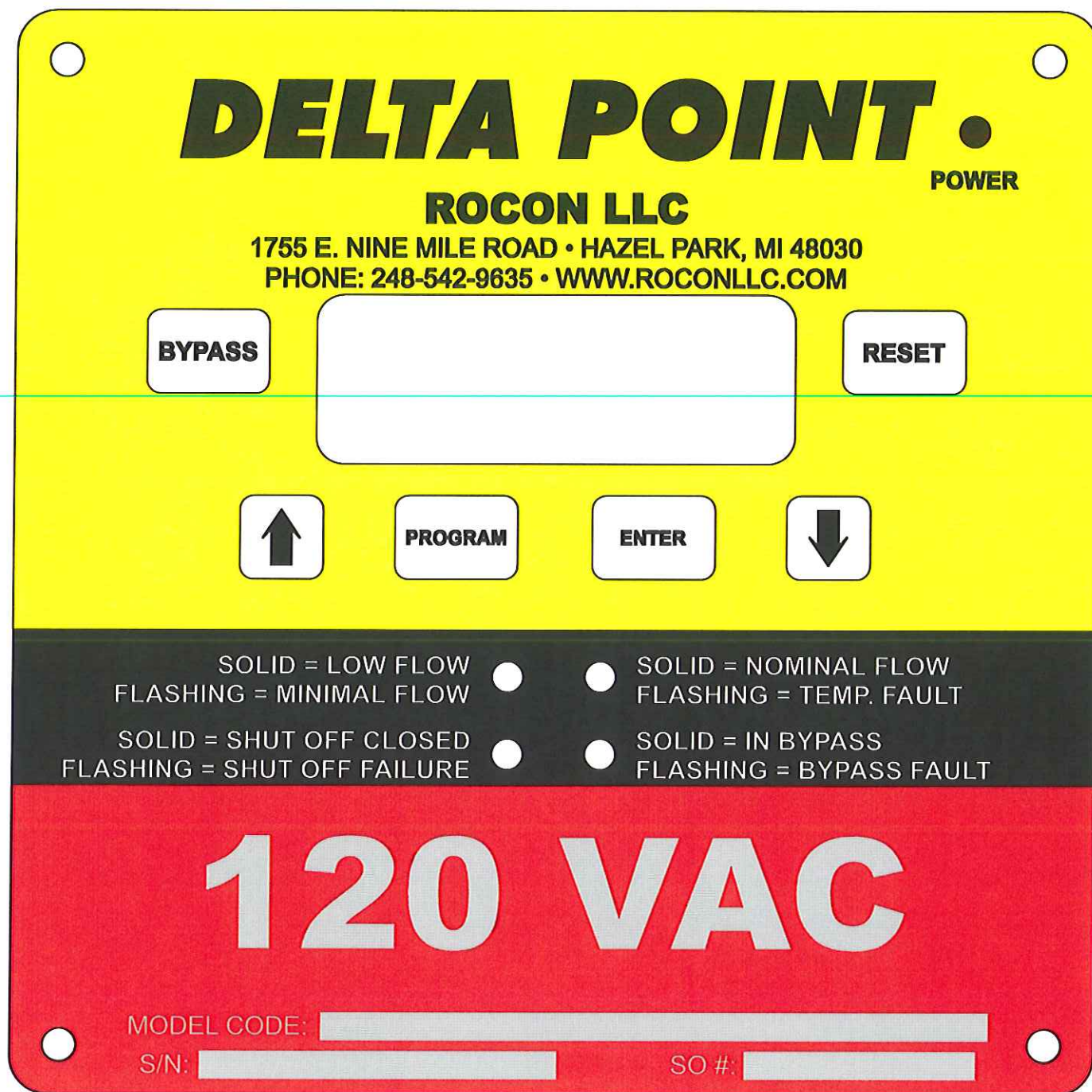
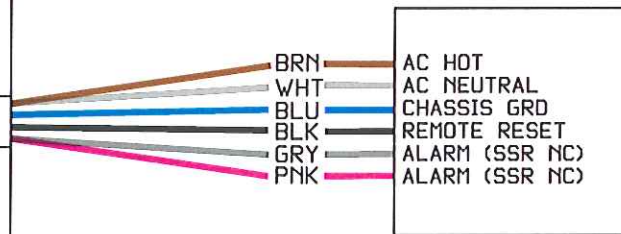
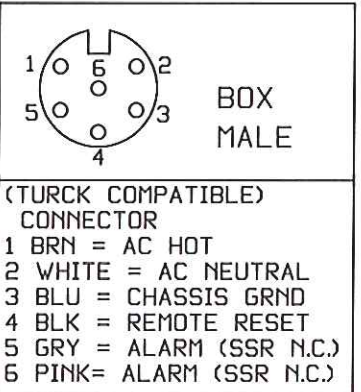


Family	DPL - AC
Model Code	A263

REV.	E.C.O.#	REVISION NOTE	BY	DATE	APPV'D BY	DATE
00	12-087	Released	VHF	12/19/12		
01						



NOTE: WIRE COLOR CODES ARE REFERENCE ONLY. THEY ARE SUBJECT TO CHANGE BY THE CONNECTOR MANUFACTURE



UNLESS OTHERWISE SPECIFIED		*THIS DRAWING, THE STRUCTURAL DESIGN DISCLOSED THEREIN, AND THE TECHNICAL DATA AND ENGINEERING SERVICE REPRESENTED THEREBY ARE THE EXCLUSIVE PROPERTY OF ROCON L.L.C. AND IS TO BE RETURNED TO ROCON L.L.C. UPON WRITTEN REQUEST AND IS NOT TO BE REPRODUCED IN WHOLE OR IN PART WITHOUT THE EXPRESS WRITTEN CONSENT OF ROCON L.L.C.		ROCON L.L.C. 1755 EAST NINE MILE ROAD HAZEL PARK, MI 48030-0249	
FRACTIONS ±1/64 2 PLACE DIMS ±.01 3 PLACE DIMS ±.005 ANGLES ±1/2°		FEDERAL HEAT TREATMENT CONCENTRICITY .002 T.I.R. MAX. BREAK SHARP EDGES 1/64 MAX. PATENTS PENDING			
SCALE	FULL	REF. NO.		MODEL	A263 Customer Drawing
DATE	12/17/12	DATE	DO NOT SCALE	DWG. NO.	
APPV'D		DATE	SEE ABOVE MODEL CODE	SHT. OF	NWC0311
				REV.	00