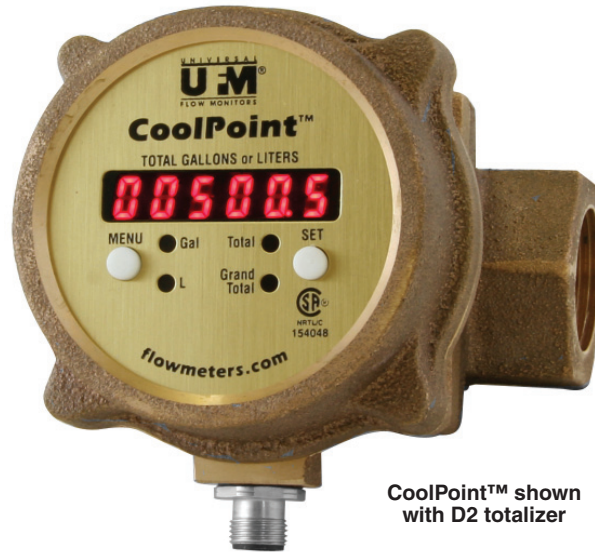


Max flows range from	6-200 GPM (23-750 LPM)	CPD2 series
Max pressure	300 PSI (20 Bar)	3/4-2 inch Flow Totalizer
Temperature range	32-210°F (2-99°C)	

UNIVERSAL[®] Flow Monitors

CoolPoint[™]

Vortex Shedding Totalizing Flowmeter



CoolPoint[™] shown with D2 totalizer

Description

This flowmeter is made for water, water/glycol coolant or low viscosity fluids. Display is a 6-digit LED. Shows flow rate or toggle between running and resettable totals. Push button selection for LPM or GPM. It has the following features:

- Pulse output
- LED digital display (total or rate)
- No moving parts to clog or wear
- Certified CSA and CE

Electrical Specifications

- Input Power: 10 - 30 VDC @ 80 mA
- Electrical Connection
 - Pin Connector (standard)
 - Pigtails (optional)
 - Junction Box with terminal strip (optional)

Material Specifications

Flow bodies of brass or 316 Stainless Steel with PVDF sensors and Viton[®] seals standard. PEEK sensors used for high temperature option.

User-Configurable Options

Features selectable:

- Engineering units (Gallons, Liters)
- Rate or total display only

Instrument Specifications

- Flow
 - Visual readout: 6 digit LED, 0.3" digit height
 - Accuracy: $\pm 1.5\%$ of indicated total
 - Turndown (ratio of max to minimum flow rates): 10:1 at all temperatures and 20:1 available optionally for standard temperatures.
- Pressure
 - 300 PSIG (20 Bar) operating pressure
- General
 - Fluid temperature limits: 35-150° F (2-66° C) standard, 210° F (99° C) with E22 high temp option.
 - Enclosure rating: IP 65, Type 1, 3, 4, 12 and 13
- Pipe Connections:
 - Female NPT, BSPP & BSPT
- Back pressure of 10 PSIG required. (See manual for elevated temperature.)
- Response time 450 ms

How To Order Select the appropriate symbols to build a model code:

MODEL CODES

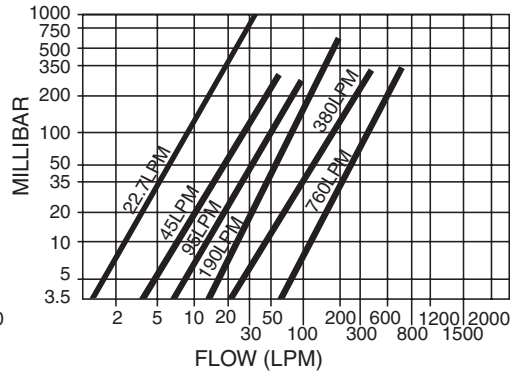
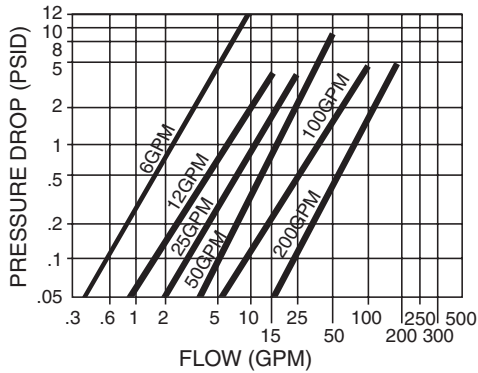
Flow maximum GPM (LPM)	Pipe size in inches	Model code	Material	Thread options available	Connector or conduit box options available	Special options
6 (23)	3/4	CP6F9D2	-M1*=Brass -M2=316 Stainless Steel	T1*=NPT T2=BSPT T3=BSPP	C1*=Pin connector C2=Pig tails C3=Conduit box, terminal strip)	W1=20:1 extended turndown ** E22 = High temp
12 (45)	3/4	CP6F2D2				
25 (95)	3/4	CP6D2				
50 (190)	1	CP8D2				
100 (380)	1 1/2	CP12D2				
100 (380)	2	CP16F5D2				
200 (750)	2	CP16D2				

* Indicates default selection. If no selection is made, this option is assumed.

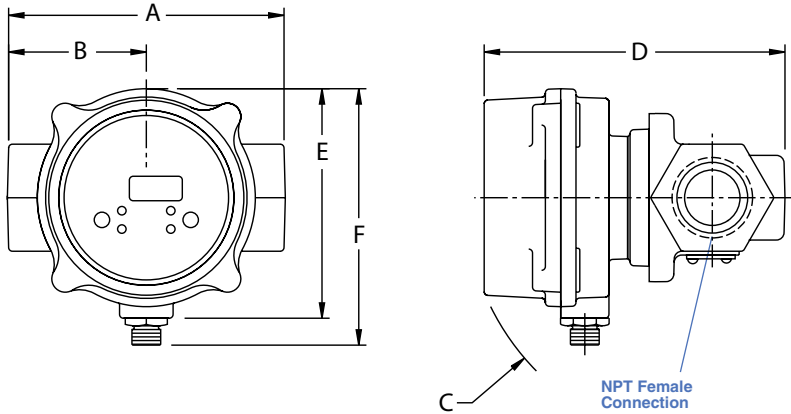
** Requires grounding
** For standard temp only.

Example: CP6F9D2 is the same as CP6F9D2-M1T1C1

PRESSURE DROP

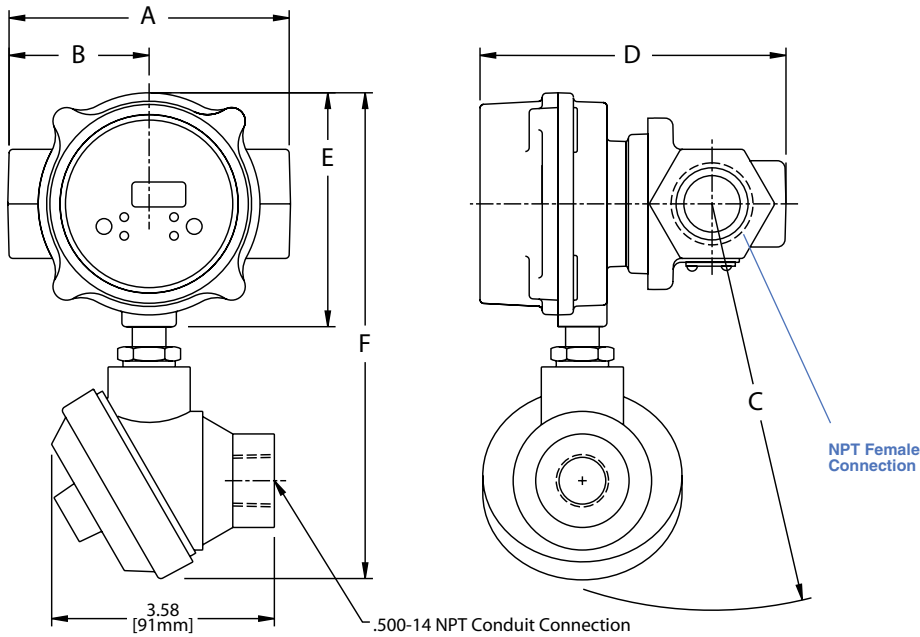


INSTALLATION DRAWING – BASIC METERS



Size	A	B	C	D	E	F
CP6-CP8	4.50	2.25	4.04	4.92	3.75	4.19
CP12-CP16	6.75 [171mm]	3.37 [86mm]	4.71 [120mm]	6.14 [156mm]	3.75 [95mm]	4.19 [106mm]

INSTALLATION DRAWING – METERS WITH OPTIONAL JUNCTION BOX



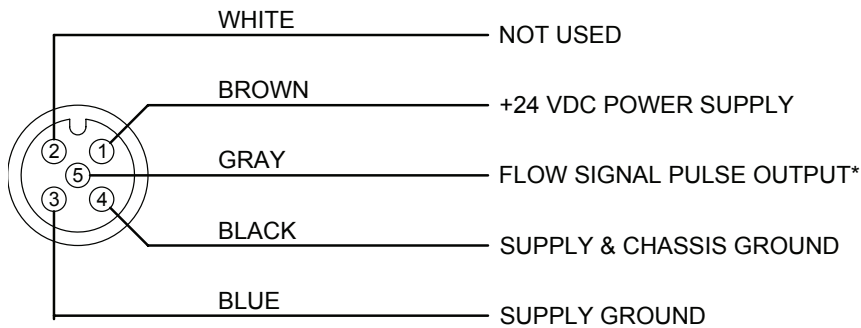
Size	A	B	C	D	E	F
CP6 and CP8	4.50 [114mm]	2.25 [57mm]	6.52 [166mm]	4.92 [125mm]	3.75 [95mm]	7.79 [198mm]
CP12 and CP16	6.75 [171mm]	3.37 [86mm]	6.87 [175mm]	6.14 [156mm]	3.75 [95mm]	7.79 [198mm]

ACCESSORY CABLES AVAILABLE FOR PIN CONNECTOR METERS

Series	Description	Length in Meters	Part Number
CP	5 pin female	1 3 10	6241-1M 6241-3M 6241-10M

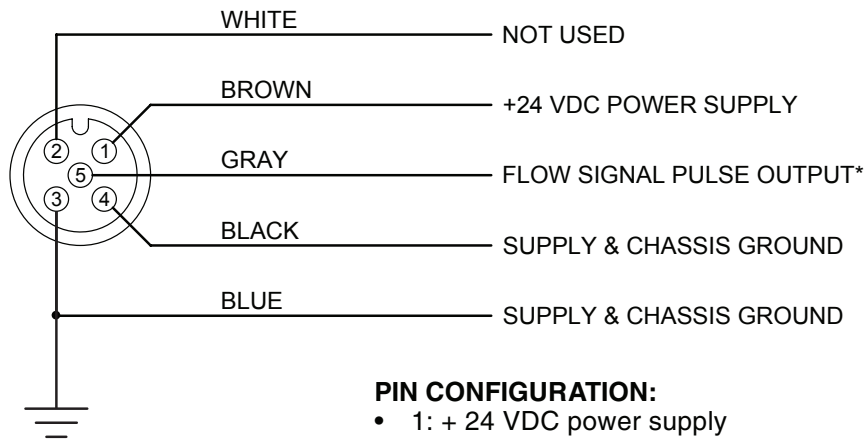
PIN CONNECTOR

D2



*This is a pulse, not an open collector contact.

D2 UNIT WITH W1 (20:1 TURNDOWN)



PIN CONFIGURATION:

- 1: + 24 VDC power supply
- 2: not used
- 3: supply & chassis ground
- 4: supply & chassis ground
- 5: flow signal pulse output

Note: There is an internal 10K Ω pull-up resistor on the pulse output line (pin 5).

*This is a pulse, not an open collector contact.