

Maximum flow ranges from	4-200 GPM (22-750 LPM)	CP-V9
Max pressure	300 PSI (20 Bar)	Profinet
Temperature range	32-210°F (2-99°C)	

# UNIVERSAL<sup>®</sup> Flow Monitors

## Vortex Shedding Flowmeter

# CoolPoint<sup>™</sup>



### Description

These vortex shedding flowmeters are designed for water and low viscosity fluids like coolant with the following features.

- PROFINET protocol for flow rate, set point and status
- Digital LCD display of flow, set point and status.
- LED status lights
- No moving parts to clog or wear

### Material Specifications

Flow bodies of brass or 316 Stainless Steel with PVDF sensors and Viton<sup>®</sup> seals standard.

### Electrical Specifications

- Input Power: 10 - 30 VDC @ 75mA
- Electrical Connection  
Pin Connector (standard)

### Instrument Specifications

- Flow
  - Visual readout: 4 digit LED
  - Deadband for Alarm: 5% of full scale (maximum flow)
  - Accuracy:  $\pm 2\%$  of full scale (maximum flow).
  - Repeatability:  $\pm .25\%$  of indicated flow.
  - Turndown (ratio of max to minimum flow rates): 10:1 at all temperatures.
- Pressure
  - 300 PSIG (20 Bar) operating pressure
- Response time
  - 60 ms flow status, 450 ms for change in flow
- General
  - Fluid temperature limits: 35-150° F (2-66° C) standard.
- Pipe Connections:
  - Female NPT, BSPP & BSPT
- Back pressure of 10 PSIG required

### Profinet

- 100 Mbit/s
- Dual RJ45 Ethernet Ports: integrated 2-port switch allows Profinet installations in bus or line topology
- Fast Start Up (FSU) compatible

# How To Order *Select the appropriate symbols to build a model code:*

## MODEL CODES

Flow maximum GPM (LPM)	Pipe size in inches	Model code	Material	Thread options available
4 (15)	1/4	<b>CP2-V9**</b>	<b>-M1*</b> =Brass <b>-M2</b> =316 Stainless Steel	<b>T1*</b> =NPT <b>T2</b> =BSPT <b>T3</b> =BSPP
6 (22.7)	3/8	<b>CP3-V9</b>		
12 (45)	1/2	<b>CP4-V9</b>		
25 (95)	3/4	<b>CP6-V9</b>		
50 (190)	1	<b>CP8-V9</b>		
100 (380)	1 1/2	<b>CP12-V9</b>		
200 (750)	2	<b>CP16-V9</b>		

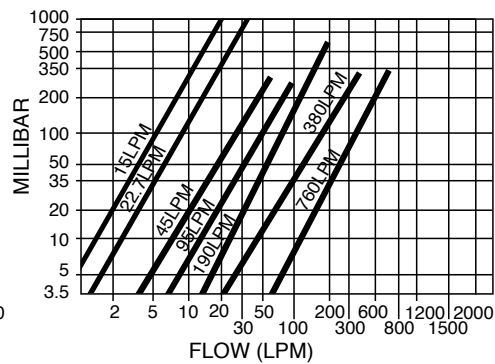
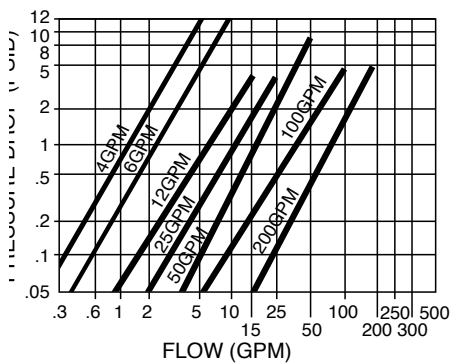
\* Indicates default selection. If no selection is made, this option is assumed (**Example: CP2-V9** is the same as CP2-V9M1T1).

\*\* Use schedule 40 pipe only

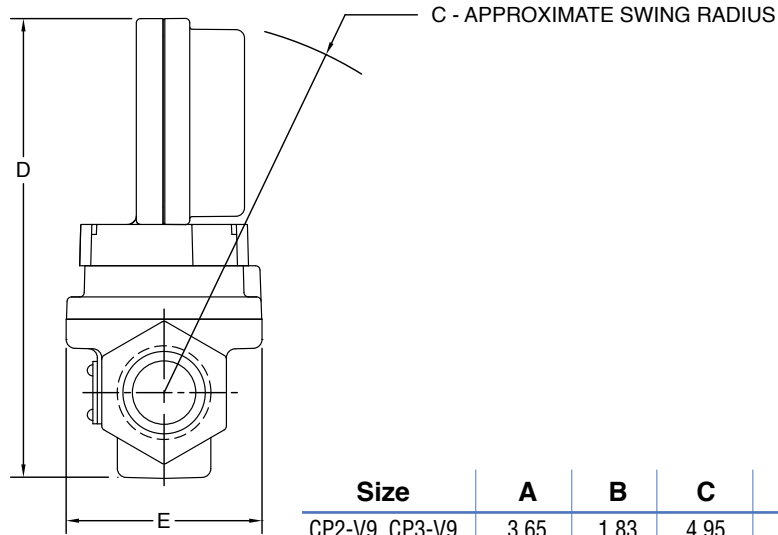
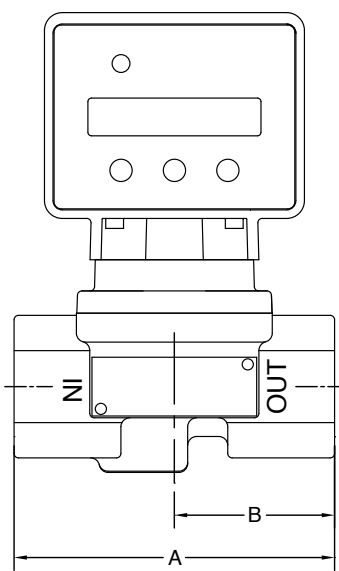
## ACCESSORY CABLES AVAILABLE FOR PIN CONNECTOR METERS

Series	Description	Length in Meters	Part Number
CP-V9	4 pin micro female	5	2519-5M

## PRESSURE DROP



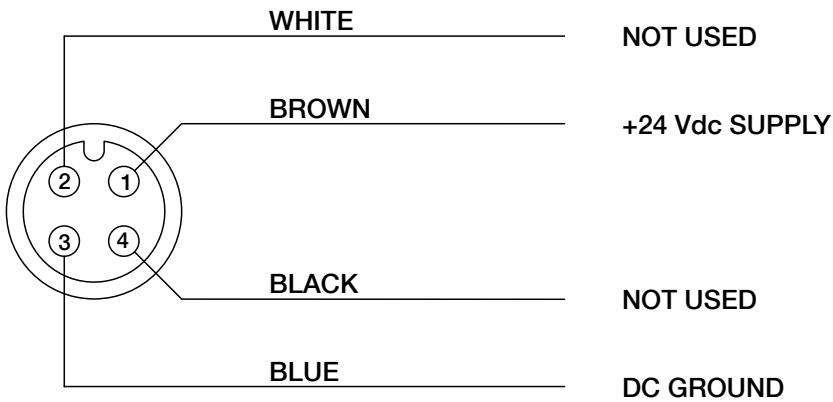
## INSTALLATION DRAWINGS



Size	A	B	C	D	E
CP2-V9, CP3-V9 & CP4-V9	3.65 [93mm]	1.83 [46mm]	4.95 [126mm]	5.91 [150mm]	2.37 [60mm]
CP6-V9 & CP8-V9	4.50 [114mm]	2.25 [57mm]	5.26 [134mm]	6.44 [163mm]	2.75 [70mm]
CP12-V9 & CP16-V9	6.75 [171mm]	3.38 [86mm]	5.99 [152mm]	7.69 [195mm]	2.88 [73mm]

## PIN CONNECTOR PINOUT

### FACE VIEW, 4-PIN DC MICRO RECEPTACLE



#### CONFIGURATION:

- 1: + 24 VDC power supply
- 2: Not used
- 3: DC ground
- 4: Not used