

Maximum flow ranges from	4-200 GPM (22-750 LPM)	CP-V8
Max pressure	300 PSI (20 Bar)	Battery operated
Temperature range	35-130°F (2-54°C)	

# UNIVERSAL<sup>®</sup> Flow Monitors

## Vortex Shedding Flowmeter

# CoolPoint<sup>™</sup>



### Description

This flowmeter is made for water and low viscosity fluids.

It has the following features:

- Battery operated (AA batteries).
- Rate or Total
- No moving parts to clog or wear
- 6 1/2 digit LCD display

### Material Specifications

Flow bodies of brass or 316 Stainless Steel with PVDF sensors and Viton<sup>®</sup> seals standard.

### User-Configurable Options

Features that are selectable include:

- Selectable units: Gallons, Liters or Cubic Meters.

### Instrument Specifications

- Flow  
 Accuracy:  $\pm 2\%$  of full scale  
 Repeatability:  $\pm .25\%$  of indicated flow  
 Turndown (ratio of max to minimum flow rates): 10:1
- Pressure  
 300 PSIG (20 Bar) operating pressure
- General  
 Fluid temperature limits: 35-130° F (2-54° C).  
 Enclosure rating: Designed to meet the requirements of IP67
- Pipe Connections:  
 Female NPT, BSPP & BSPT
- Back pressure of 10 PSIG required.

# How To Order Select the appropriate symbols to build a model code:

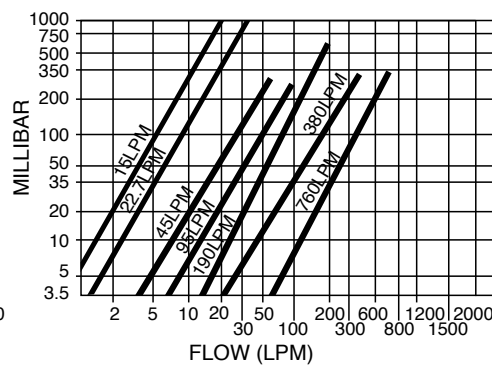
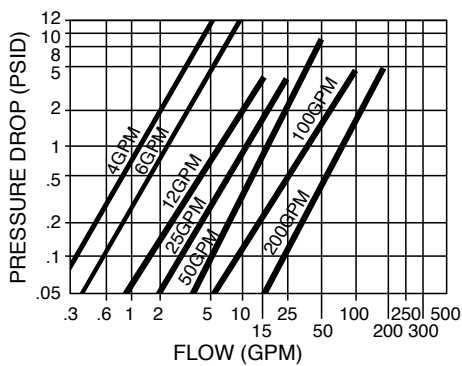
## MODEL CODES

Flow maximum GPM (LPM)	Pipe size inches	Model code	Material	Thread options available
4 (15)	1/4	<b>CP2-V8**</b>	-M1*=Brass	<b>T1*=NPT</b>
6 (22.7)	3/8	<b>CP3-V8</b>	-M2=316 Stainless Steel	<b>T2=BSPT</b>
12 (45)	1/2	<b>CP4-V8</b>		<b>T3=BSPP</b>
25 (95)	3/4	<b>CP6-V8</b>		
50 (190)	1	<b>CP8-V8</b>		
100 (380)	1 1/2	<b>CP12-V8</b>		
200 (750)	2	<b>CP16-V8</b>		

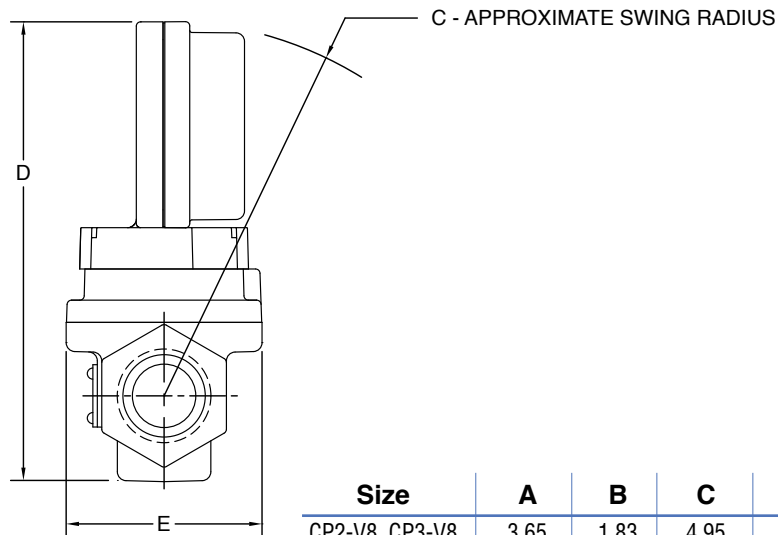
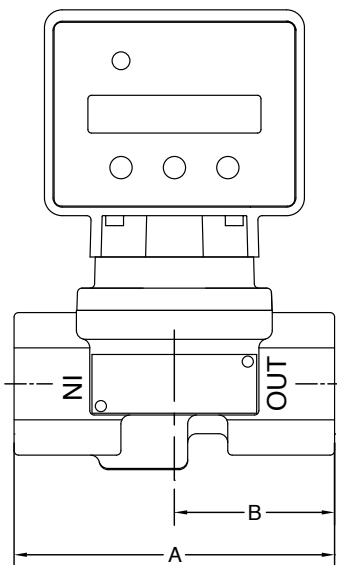
\* Indicates default selection. If no selection is made, this option is assumed (**Example: CP2-V8** is the same as CP2-V8M1T1).

\*\* Use only schedule 40 pipe

## PRESSURE DROP



## INSTALLATION DRAWINGS



Size	A	B	C	D	E
CP2-V8, CP3-V8 & CP4-V8	3.65 [93mm]	1.83 [46mm]	4.95 [126mm]	5.91 [150mm]	2.37 [60mm]
CP6-V8 & CP8-V8	4.50 [114mm]	2.25 [57mm]	5.26 [134mm]	6.44 [163mm]	2.75 [70mm]
CP12-V8 & CP16-V8	6.75 [171mm]	3.38 [86mm]	5.99 [152mm]	7.69 [195mm]	2.88 [73mm]