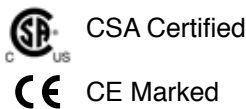


<b>FLOW RANGE</b>	2.5-50 GPM (9.53-190 LPM)	<b>CX 1 inch</b>
<b>MAX PRESSURE</b>	200 PSI (13.6 Bar)	

# CoolPoint™ CX

## UNIVERSAL<sup>®</sup> Flow Monitors

**Plastic with Brass Insert  
Vortex Shedding Flowmeter**



### Description

This flowmeter is made for water, chemicals and low viscosity fluids compatible with materials of construction.

Features:

- Flow rate transmitter 4-20mA (standard 3-wire version power supplied separate from 4-20)
- High and low solid state relays or single relay with pulse out (100 pulses per gallon)
- LED digital display
- No moving parts to clog or wear
- Certified CSA and CE

### Electrical Specifications

- Input Power: 10 - 30 VDC @ 80 mA 3 wire standard
- Electrical Connection  
Pin Connector (standard)

### Material Specifications

Flow bodies of Brass and Polysulfone with Viton Seals

Bluffs made of Brass

PEEK sensor for high temperature and chemical compatability

### User-Configurable Options

Features that are selectable

- Solid state relays as (N.O. or N.C.)
- Configure one solid state relay as pulse out
- Engineering units (GPM, LPM)

### Instrument Specifications

- Flow  
Visual readout: 3 digit LED, 0.3" digit height  
Response time: 200 ms  
Alarm: 5% F.S. deadband  
Accuracy:  $\pm 1$  % F.S.  
Repeatability:  $\pm 0.25$ % of indicated flow  
Turndown (ratio of max to min flow): 10:1  
(20:1 available with W1 option)
- Pressure  
200 PSIG (13.6 Bar) operating pressure

#### General

- Fluid temperature limits: 140-210°F (66-99°C)
- Enclosure rating: IP65; type 4X
- Pipe Connections: Female NPT
- Minimum backpressure required (5 PSI typical at midrange, 10 PSI at high flows)
- Over range to 125% without damage
- Straight run 10 pipe diameters upstream and 5 down for max accuracy

# How To Order

Select the appropriate symbols to build a model code:  
 Select the appropriate symbols to build a model code:

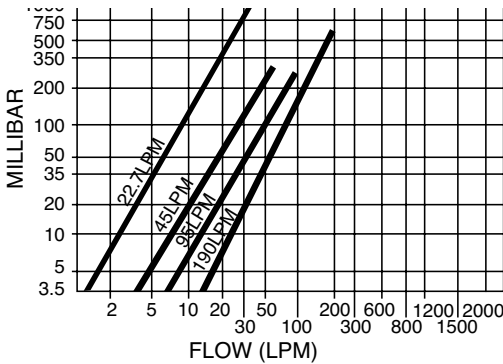
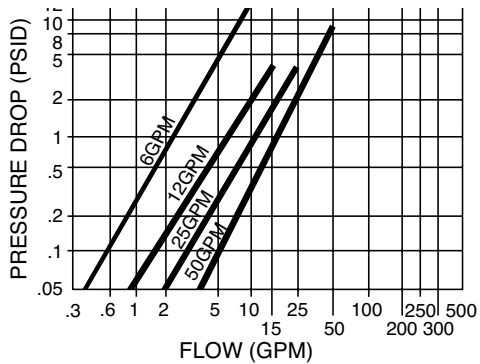
**Example: CX8-M6T1C1D3E22E28N2**

## MODEL CODES

### CX SERIES

Flow Rate GPM (LPM)	Description	Symbol
50 (190)	1"	<b>CX8</b>
<b>Body Material</b>	Brass with Polysulfone End Caps	<b>M6</b>
<b>Connection Type</b>	Female NPT	<b>T1</b>
<b>Electrical Connection</b>	5 pin male connector	<b>C1</b>
<b>Display Type</b>	Pulse out with 3 digit display of total 4-20 mA out with 3 digit display of rate	<b>D3</b> <b>D1</b>
<b>Internals</b>	PEEK sensor & Brass	<b>E22</b>
<b>Special Options</b>	20:1 extended turndown *Consult Factory for Pulse output designation (100 pulses per gallon standard)	<b>W1</b> <b>E28*</b>
<b>Flow Direction</b>	Flow Right, Up, Left or Down	<b>N1-N4</b>

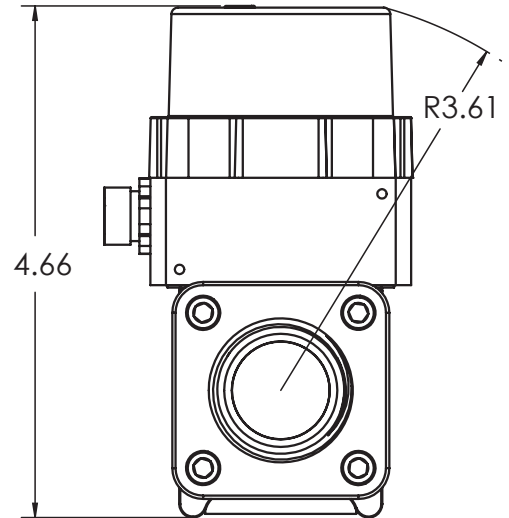
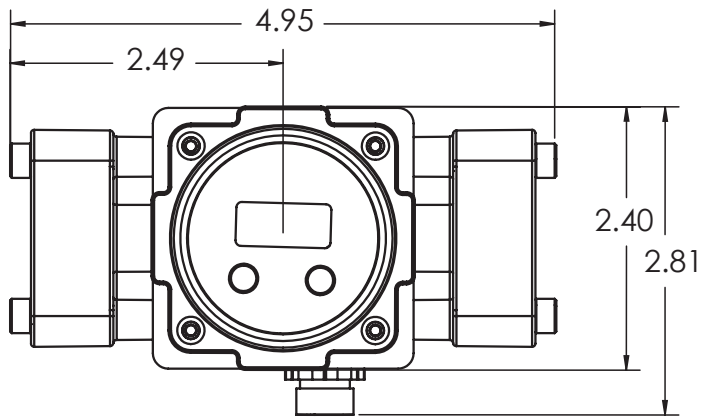
## PRESSURE DROP CHARTS



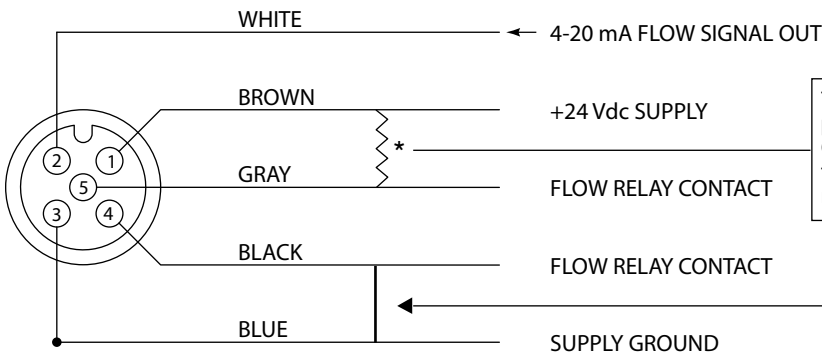
## ACCESSORY CABLES AVAILABLE FOR PIN CONNECTOR METERS

Series	Description	Length in Meters	Part Number
CX	5 pin female	1	6241-1M
		3	6241-3M
		10	6241-10M

## INSTALLATION DRAWING FEMALE NPT



## PIN CONNECTOR STANDARD WIRING

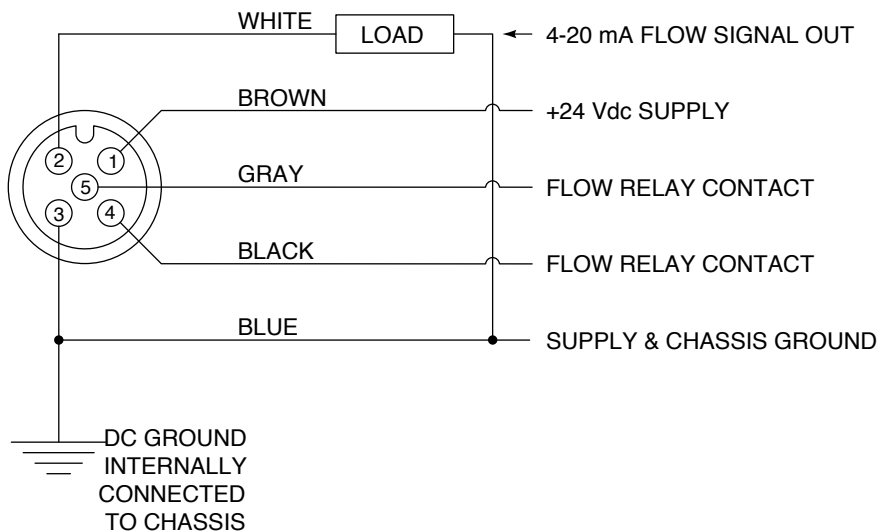


To turn flow relay contact from a switch to a pulse out by externally connecting a 2K - 10K Ohm pull up resistor from power supply to one flow relay contact and connecting the other flow relay contact to supply ground.

### CONFIGURATION:

- 1: + 24 VDC power supply
- 2: 4-20 mA flow signal out
- 3: supply ground
- 4: flow relay contact
- 5: flow relay contact

## W1 OPTION (GROUNDED)



### CONFIGURATION:

- 1: + 24 VDC power supply
- 2: 4-20 mA flow signal out
- 3: power supply ground
- 4: flow relay contact
- 5: flow relay contact