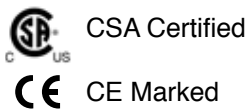


# CoolPoint™ CX

## UNIVERSAL<sup>®</sup> Flow Monitors

**Plastic Vortex Shedding  
Flowmeter with 4-20mA,  
pulse out and switching**



### Description

This flowmeter is made for water, chemicals and low viscosity fluids compatible with materials of construction.

Features:

- Flow rate transmitter 4-20mA (standard 3-wire version power supplied separate from 4-20)
- High and low solid state relays or single relay with pulse out (100 pulses per gallon)
- 2-wire version (option E14) has no display & can be operated in an intrinsically safe mode only in conjunction with an approved IS barrier meeting required entity parameter's
- LED digital display
- No moving parts to clog or wear
- Certified CSA and CE

### Electrical Specifications

- Input Power: 10 - 30 VDC @ 80 mA 3 wire standard, (2 wire IS available with approved barrier but without visual readout).
- Electrical Connection  
 Pin Connector (standard)  
 Pigtails (optional)

### Material Specifications

Flow bodies of polysulfone and Viton Seals  
 Bluffs and Sensor made of CPVC & PVDF (standard)  
 PEEK substituted for high temp or when desired for chemical compatibility

### User-Configurable Options

Features that are selectable

- Solid state relays as (N.O. or N.C.)
- Configure one solid state relay as pulse out
- Engineering units (GPM, LPM)

### Instrument Specifications

- Flow  
 Visual readout: 3 digit LED, 0.3" digit height  
 Response time: 200 ms  
 Alarm: 5% F.S. deadband  
 Accuracy:  $\pm 1\%$  F.S.  
 Repeatability:  $\pm 0.25\%$  of indicated flow  
 Turndown (ratio of max to min flow): 10:1  
 (20:1 available with W1 option)
- Pressure  
 200 PSIG (13.6 Bar) operating pressure
- General  
 Fluid temperature limits:  
 35-140°F (2-66°C) standard  
 140-210°F (66-99°C) High temp option E20:  
 (PEEK sensor and bluff)
- Enclosure rating: IP65; type 4X
- Pipe Connections:  
 Female or male NPT
- Minimum backpressure required (5 PSI typical at midrange, 10 PSI at high flows)
- Over range to 125% without damage
- Straight run 10 pipe diameters upstream and 5 down for max accuracy

# How To Order Select the appropriate symbols to build a model code:

## MODEL CODES

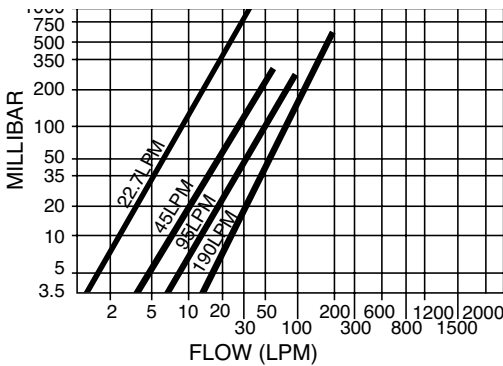
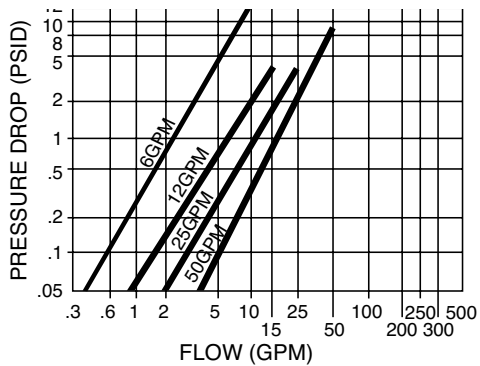
### CX SERIES

Flow Rate GPM (LPM)	Description	Symbol
6 (23)	3/8"	<b>CX3</b>
12 (45)	1/2"	<b>CX4</b>
25 (95)	3/4"	<b>CX6</b>
50 (190)	1"	<b>CX8</b>
<b>Body Material</b>	Polysulfone	<b>M5</b>
<b>Connection Type</b>	male NPT female NPT	<b>T6</b> <b>T1</b>
<b>Internals</b>	PVDF sensor, CPVC bluff PEEK sensor & bluff	<b>D</b> <b>K</b>
<b>Electrical Connection</b>	5 pin male connector pigtails	<b>C1</b> <b>C2</b>
<b>Special Options</b>	20:1 extended turndown no display or alarms. 2 wire 4-20 mA loop powered transmitter can be operated in an intrinsically safe mode only when used in conjunction with an approved intrinsically safe barrier high temperature 140°F - 210°F	<b>W1</b> <b>E14</b> <b>E20</b>

Example: **CX6-M5T6KC1-E20** is 3/4 inch male NPT meter and pin connector with high temp option (PEEK sensor & bluff).

Optional approved barrier 8140R-ASSY ordered separately for use with Intrinsically Safe (IS) use with E14 option

## PRESSURE DROP CHARTS

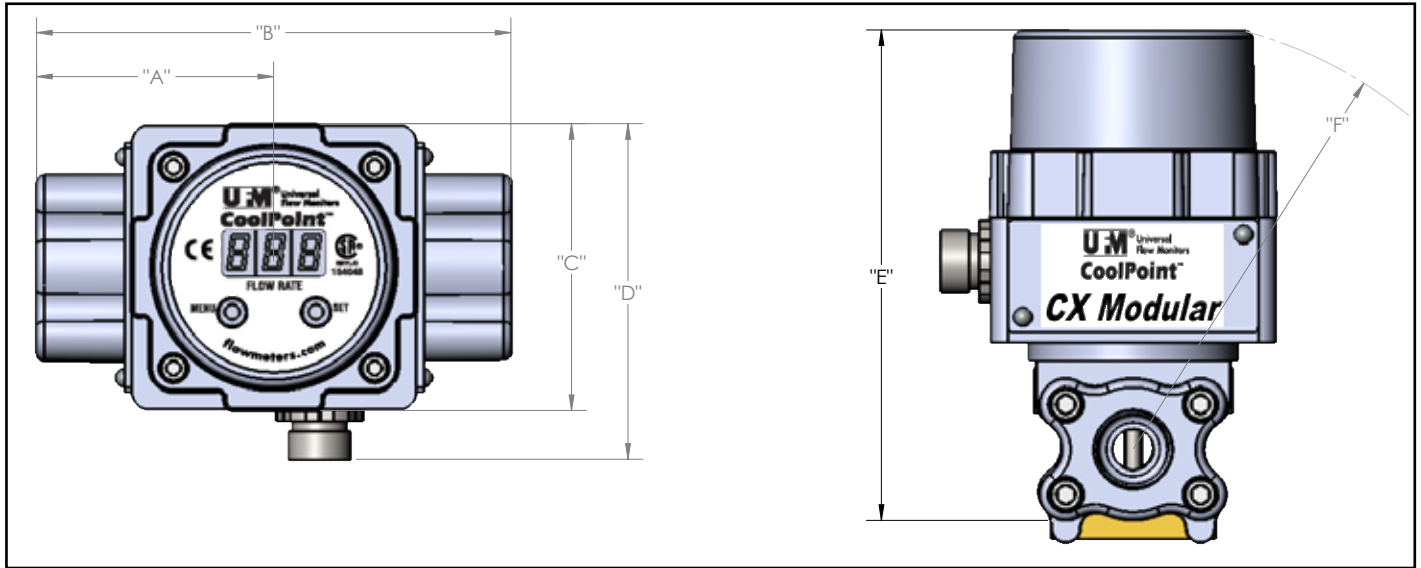


## ACCESSORY CABLES AVAILABLE FOR PIN CONNECTOR METERS

Series	Description	Length in Meters	Part Number
CX	5 pin female	1	6241-1M
		3	6241-3M
		10	6241-10M
CX	3 pin female	1	9026
		5	9029
		10	9031

For 2 wire - E14 option only

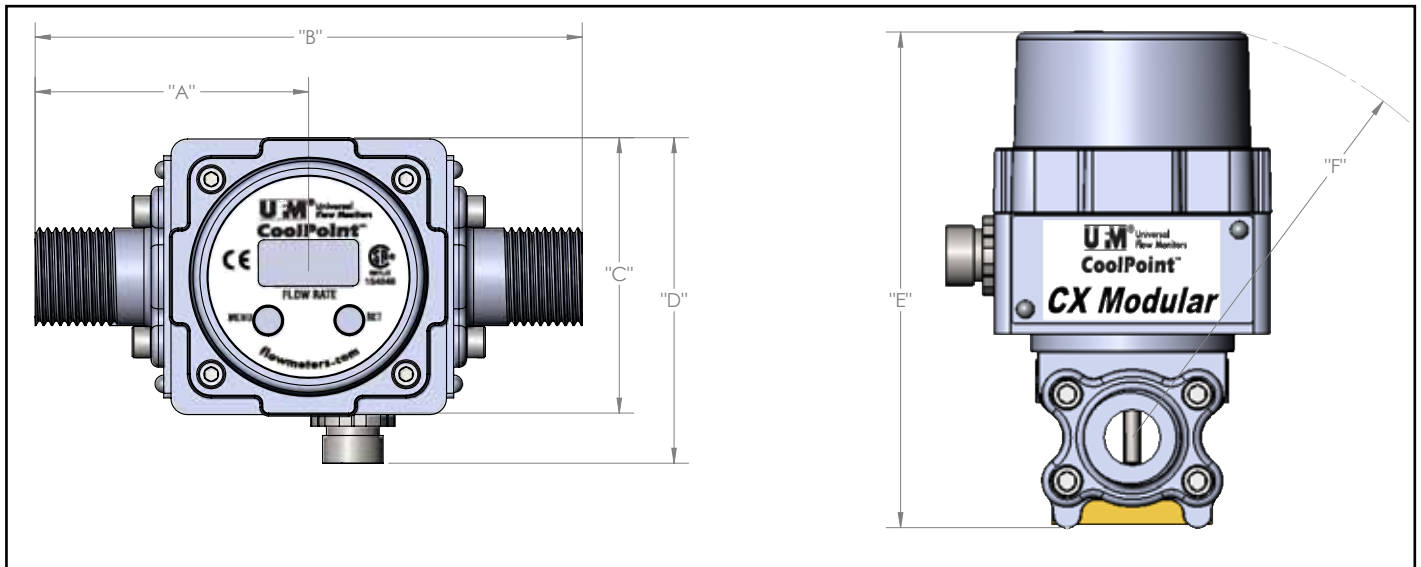
## INSTALLATION DRAWING FEMALE NPT



**CX Female Fitting Dimensions**

		DIM "A"	DIM "B"	DIM "C"	DIM "D"	DIM "E"	DIM "F"
CX3 & CX4	in	1.98	3.97	2.40	4.81	4.28	R3.61
	mm	5.03	10.08	6.10	12.22	10.87	R9.20
CX6 & CX8	in	2.38	4.75	2.40	2.81	4.85	R 3.80
	mm	6.05	12.07	6.10	7.14	12.32	R9.65

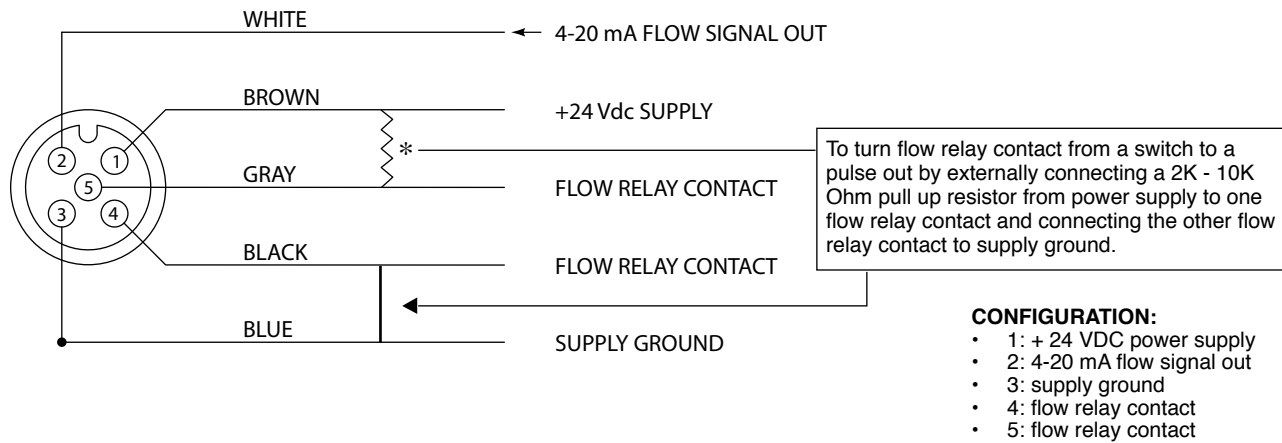
## INSTALLATION DRAWING MALE NPT



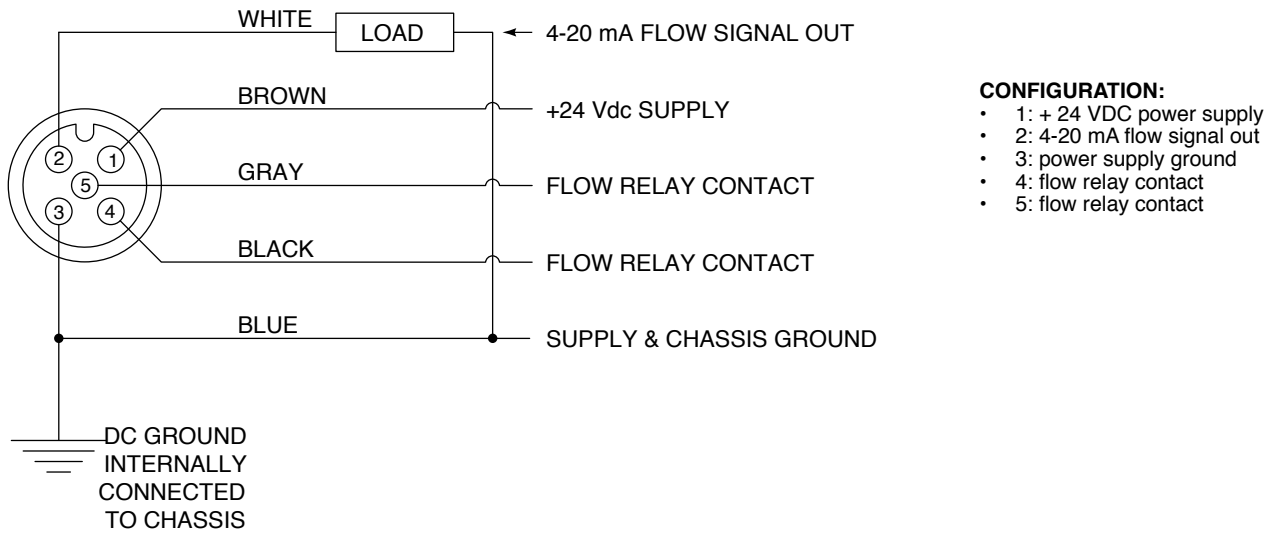
**CX Male Fitting Dimensions**

		DIM "A"	DIM "B"	DIM "C"	DIM "D"	DIM "E"	DIM "F"
CX3 & CX4	in	2.36	4.72	2.36	2.81	4.28	R3.61
	mm	5.99	11.99	5.99	7.14	10.87	R9.20
CX6 & CX8	in	3.30	6.61	2.40	2.81	4.85	R 3.80
	mm	8.38	16.79	6.10	7.14	12.32	R9.65

## PIN CONNECTOR STANDARD WIRING



## W1 OPTION (GROUNDED)



## CX 2 WIRE TRANSMITTER

